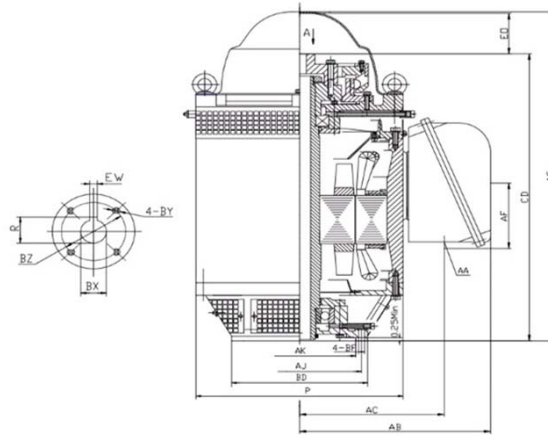




**V1-15D4-W25410A**

VERTICAL HOLLOW SHAFT MOTOR  
 NEMA PREMIUM EFFICIENCY  
 HIGH THRUST DESIGN  
 THREE PHASE, OPEN DRIP PROOF (WP1) ENCLOSURE  
 NON-REVERSE BALL TYPE RATCHET  
 COUPLING INCLUDED



**DIMENSIONS**

HP	RPM	Frame	MOUNTING DIMENSIONS													
			BD	AJ	AK	BF	BX	BZ	EW	R	BY	CD	E0 >	AC	AA	AF
15	1770	254TP	10.00	9.125	8.25	0.44	1.00	1.38	0.25	1.114	10-32	23.38	4.29	11.65	3" NPT	5.83

OVERALL DIMENSIONS			BEARINGS	
P	AB	AG	UPPER	BOTTOM
17.32	15.07	27.88	6212	7312B

**COUPLING:** Motor comes with a 1.0" coupling. You may select a different size coupling at no extra charge.

**BEARING LUBRICATION:** The bottom bearing comes lubricated with Mobil Polyrex EM Polyurea Grease.





## V1-15D4-W25410A

**VERTICAL HOLLOW SHAFT MOTOR**  
**NEMA PREMIUM EFFICIENCY**  
**HIGH THRUST DESIGN**  
**THREE PHASE, OPEN DRIP PROOF (WP1) ENCLOSURE**  
**NON-REVERSE BALL TYPE RATCHET**

### PERFORMANCE DATA

HP	RPM	Frame	Voltage	Frequency (Hz)	Full Load S.F.	Insulation Class	NEMA Design	Slip (%)	NEMA Code	Enclosure Type	IP Rating	Max. Ambient	Rating CONT
15	1785	254TP	230/460	60	1.15	F	B	0.8	H	WP1	23	40° C	S1

Amps (460V)		Efficiency (%)					Power Factor			Torque (ft-lb)			Down Thrust	Angular Contact Bearing	Radial Ball Bearing	Connection	Weight (lbs.)
FLA	LRA	100%	75%	50%	Min.	100%	75%	50%	FLT	LRT %	BDT %	3200	UPPER	BOTTOM	12 Lead 2Δ/Δ	595	
17.3	128.0	93.0	93.0	91.4	91.7	0.86	0.83	0.74	44.0	218	250		6212	7312B			

### NAME PLATE

<b>VERTICAL HOLLOW SHAFT ELECTRIC MOTOR</b>				<b>CONNECTION DIAGRAMS</b>			
<b>INVERTER RATED 10:1 VT</b>				<b>HIGH THRUST DESIGN</b>			
MODEL	V1-15D4-W25410A			PHASE	3	Hz	60
HP	15	FRAME	254TP	VOLTS	230/460		
DESIGN	B	CODE	H	AMPS	34.6/17.3		
NOM EFF.	93.0	P.F.	0.86	INSULATION CLASS	F		
RATING CONT	S1	S.F.	1.15	MAX AMB.	40° C	WEIGHT	595 LBS.
DOWN THRUST	3200			ENCLOSURE TYPE	WP1		
UPPER BEARING	6212			BOTTOM BEARING	7312B		
LUBRICATION	MOBILE POLYREX EM			LUBRICATION	MOBILE POLYREX EM		
NON-REVERSE RATCHET - BALL TYPE				SERIAL NO.			
Specifically designed for use on deep well turbine pump applications. Hernando, Mississippi							
				PART WIND START CAPABLE @ 230V			
				<b>208-230V</b> 			
				<b>460V</b> 			

### APPLICATIONS:

Specifically designed for use on deep well turbine pump applications. The coupling is equipped with a non-reverse ratchet, which prevents motor rotation from backspin at shutdown. These motors are built to NEMA standards and have special bearing arrangements to carry heavy thrust loads.