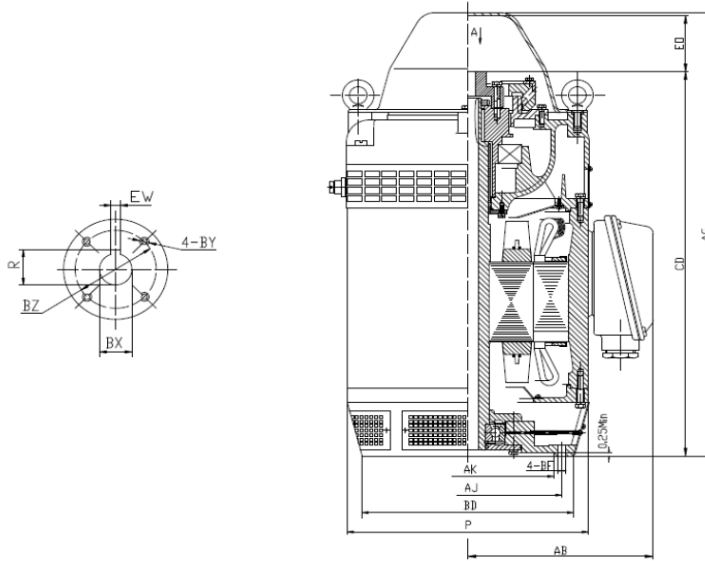


NAE-VHS-500-4-EHT

NEMA Standard Vertical Hollow Shaft Motor

Energy Efficient – Three Phase – ODP – WP1-AC Motor-Suitable for Part Wind Start



DIMENSIONS – INCHES

| | | | | | | | | | | |
|---------|-------|--------|--------|--------|----------------------------|------------|-------------|-------|------|-------|
| BD | AJ | AK | BF | BZ | EW | R | BY | CD | EO> | AC |
| 24.5 | 14.75 | 13.5 | 0.688 | 3.25 | 0.50 | 2.412 | 3/8-16 | 53.88 | 7.82 | 22.25 |
| AA | AF | P | AB | AG | Upper Bearing Oil Capacity | | Down Thrust | BX | | |
| 2-NPT3" | 9.05 | 29.125 | 27.375 | 61.875 | 12.0 | 24000 lbs. | | 2.188 | | |

NOTE: Optional BX Coupling Dimensions Available.

PERFORMANCE DATA

Three Phase – 60Hz - 460V – NEMA Design B - Max. Ambient: 40° C

| HP | Speed | Frame | NEMA Code | Efficiency (%) | | | Power Factor % | | | Torque (ft-lb) | | |
|--------------|-------|-------------------------|---------------------|------------------|----------------|----------------|----------------|------|------|----------------|------|------|
| | | | | 100% | 75% | 50% | 100% | 75% | 50% | FLT | BDT% | LRT% |
| 500 | 1780 | 5008P | G | 95.5 | 94.9 | 94.4 | 89.0 | 88.5 | 87.1 | 1989 | 190 | 170 |
| Amps (460V) | | Angular Contact Bearing | Radial Ball Bearing | Insulation Class | Enclosure Type | Service Factor | Weight (lbs) | | | | | |
| FLA | LRA | | | | | | | | | | | |
| 588 | 3410 | 7236B/DT | 6322 | F | ODP | 1.15 | 4562 | | | | | |

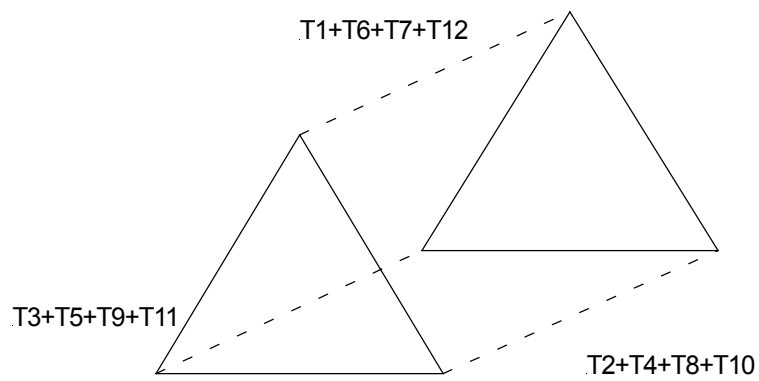


North American Electric, Inc. 350 Vaiden Drive, Hernando, MS 38632

Toll Free: 1-800-884-0405 Phone: 662-429-8049 Fax: 662-429-8546

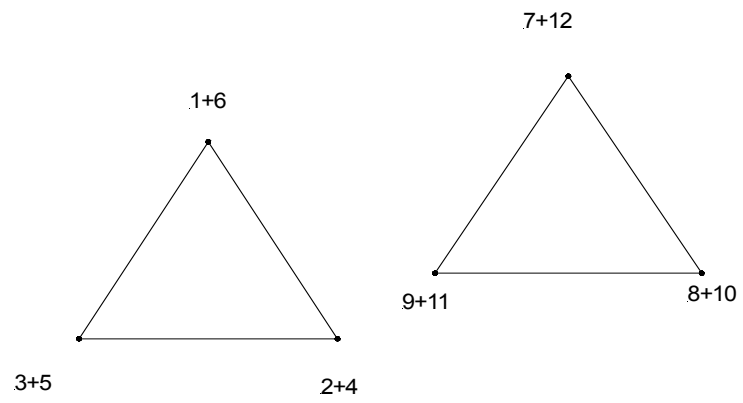
www.naemotors.com

Across The Line Start 12 Lead DELTA Connection 460V 60Hz



| L1 | L2 | L3 |
|--------------|--------------|--------------|
| T1+T6+T7+T12 | T2+T4+T8+T10 | T3+T5+T9+T11 |

Part Wind Start 12 Lead DELTA Connection 460V 60Hz



| | | |
|------|------|------|
| T1 | T2 | T3 |
| 1+6 | 2+4 | 3+5 |
| T7 | T8 | T9 |
| 7+12 | 8+10 | 9+11 |