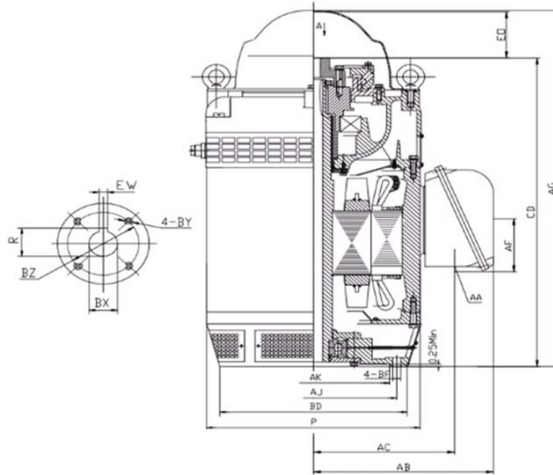


NAE-VHS-100-4

**VERTICAL HOLLOW SHAFT MOTOR
HIGH THRUST DESIGN
THREE PHASE, OPEN DRIP PROOF (WP1) ENCLOSURE
NON-REVERSE BALL BEARING RATCHET
COUPLING INCLUDED**



DIMENSIONS																
HP	RPM	Frame	MOUNTING DIMENSIONS													
			BD	AJ	AK	BF	BX	BZ	EW	R	BY	CD	E0 >	AC	AA	AF
100	1770	404TP	16.50	14.750	13.50	0.69	1.50	2.13	0.38	1.706	1/4-20	36.94	5.23	13.58	3.00	5.83

OVERALL DIMENSIONS			BEARINGS	
P	AB	AG	UPPER	BOTTOM
21.00	15.24	42.20	7230B	6317

COUPLING: Motor comes with a 1.50" coupling. You may select a different size coupling at no extra charge.

BEARING LUBRICATION: The bottom bearing comes lubricated with Mobile Polyrex EM Polyurea Grease.

OIL RESERVOIR: Motor is shipped without oil. The oil capacity is 4.82 quarts.

STEADY BUSHING: Motor is designed to accept a steady bushing. The bore size is 2.047 inches.





NAE-VHS-100-4

**VERTICAL HOLLOW SHAFT MOTOR
HIGH THRUST DESIGN
THREE PHASE, OPEN DRIP PROOF (WP1) ENCLOSURE
NON-REVERSE BALL BEARING RATCHET**

PERFORMANCE DATA

HP	RPM	Frame	Voltage	Frequency (Hz)	Full Load S.F.	Insulation Class	NEMA Design	Slip (%)	NEMA Code	Enclosure Type	IP Rating	Max. Ambient	Rating CONT
100	1770	404TP	230/460	60	1.15	F	B	1.7	C	WP1	23	40° C	S1

Amps (460V)		Efficiency (%)				Power Factor			Torque (ft-lb)			Down Thrust	Angular Contact Bearing	Radial Ball Bearing	Connection	Weight (lbs.)
FLA	LRA	100%	75%	50%	Min.	100%	75%	50%	FLT	LRT %	BDT %	6700	UPPER	BOTTOM	12 Lead 2Δ/Δ	1268
120.0	405.3	92.3	92.1	91.7	90.2	0.88	0.88	0.82	405.3	242	215		7230B	6317		

NAME PLATE

VERTICAL HOLLOW SHAFT ELECTRIC MOTOR				CONNECTION DIAGRAMS	
INVERTER DUTY 10:1 VT; 5:1 CT				HIGH THRUST DESIGN	
MODEL	NAE-VHS-100-4	PHASE	3	Hz	60
HP	100	FRAME	404TP	VOLTS	230/460
DESIGN	B	CODE	C	AMPS	240 / 120
NOM EFF.	92.3	P.F.	0.88	INSULATION CLASS	F
RATING CONT	S1	S.F.	1.15	MAX AMB.	40° C
WEIGHT	1268	LBS.			
DOWN THRUST	6700	ENCLOSURE TYPE	WP1		
UPPER BEARING	7230B	BOTTOM BEARING	6317		
OIL CAP. UPPER BEARING	4.82	QTS	LUBRICATION	MOBILE POLYREX EM	
NON-REVERSE RATCHET - BALL TYPE	SERIAL NO.				
Specifically designed for use on deep well turbine pump applications. Hernando, Mississippi					
PART WIND START CAPABLE @ 230V					

APPLICATIONS:

Specifically designed for use on deep well turbine pump applications. The coupling is equipped with a non-reverse ratchet, which prevents motor rotation from backspin at shutdown. These motors are built to NEMA standards and have special bearing arrangements to carry heavy thrust loads.