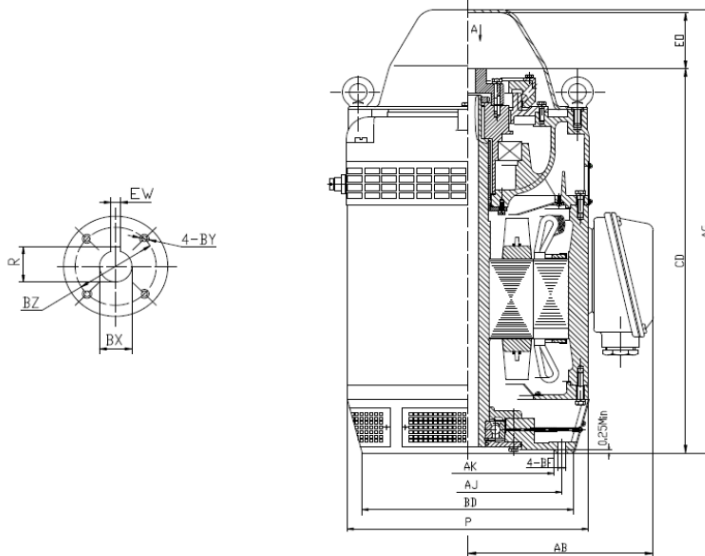


NAE-VHS-40-4-1.188CP

NEMA Standard Vertical Hollow Shaft Motor

Energy Efficient – Three Phase – ODP – WP1-AC Motor



DIMENSIONS – INCHES

BD	AJ	AK	BF	BZ	EW	R	BY	CD	EO>	AC
16.5	14.75	13.5	0.69	1.75	0.25	1.367	1/4-20	28.22	4.22	11.65
AA	AF	P	AB	AG	Upper Bearing Oil Capacity		Down Thrust	BX		
3.0	5.83	17.3	15.07	32.7	3.5		5500 lbs	1.188		

NOTE: Optional BX Coupling Dimensions Available.

PERFORMANCE DATA

Three Phase – 60Hz - 230/460V – NEMA Design B - Max. Ambient: 40° C

HP	Speed	Frame	NEMA Code	Efficiency (%)			Power Factor %			Torque (ft-lb)		
				100%	75%	50%	100%	75%	50%	FLT	BDT%	LRT%
40	1770	324TP	C	91.2	90.4	89.3	87.0	84.0	78.0	162.1	240	214
Amps (460V)		Angular Contact Bearing	Radial Ball Bearing	Insulation Class	Enclosure Type	Service Factor	Weight (lbs)					
FLA	LRA											
47.49	299.6	7221B	6213	F	ODP	1.15	749					

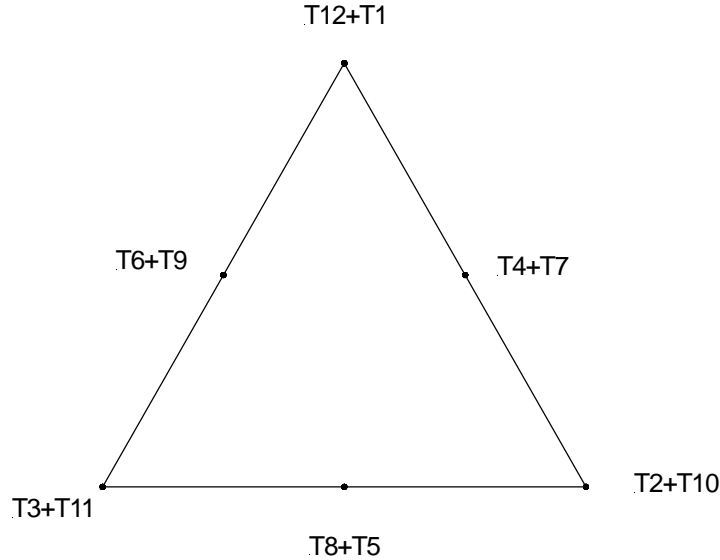


North American Electric, Inc. 350 Vaiden Drive, Hernando, MS 38632

Toll Free: 1-800-884-0405 Phone: 662-429-8049 Fax: 662-429-8546

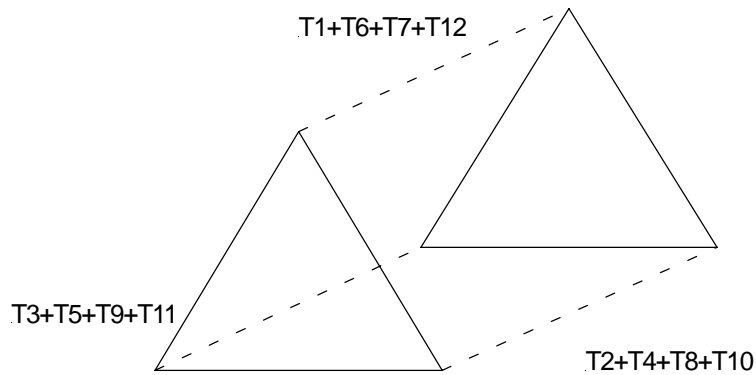
www.naemotors.com

**Across The Line Start
12 Lead DELTA Connection
High Voltage 460V 60Hz**



L1	L2	L3	JOIN	JOIN	JOIN
T1+T12	T2+T10	T3+T11	T4+T7	T5+T8	T6+T9

**Across The Line Start
12 Lead DELTA Connection
Low Voltage 208-230V 60Hz**



L1	L2	L3
T1+T6+T7+T12	T2+T4+T8+T10	T3+T5+T9+T11