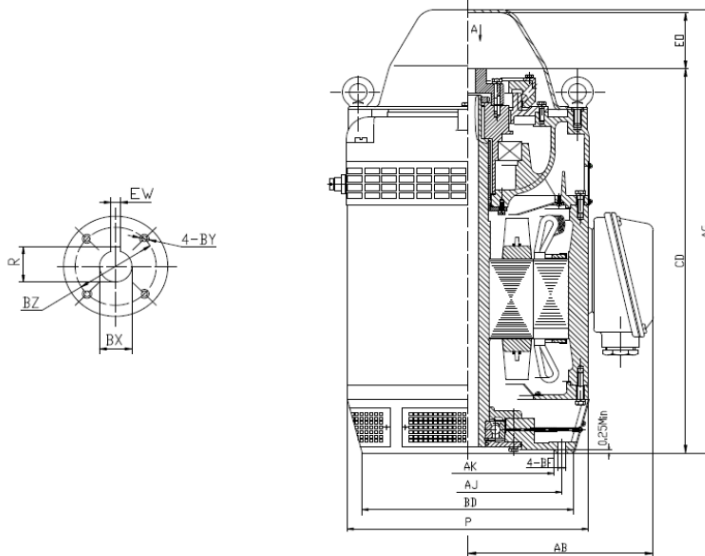


# NAE-VHS-15-4-1.188CP

## NEMA Standard Vertical Hollow Shaft Motor

Energy Efficient – Three Phase – ODP – WP1-AC Motor



### DIMENSIONS – INCHES

<b>BD</b>	<b>AJ</b>	<b>AK</b>	<b>BF</b>	<b>BZ</b>	<b>EW</b>	<b>R</b>	<b>BY</b>	<b>CD</b>	<b>EO&gt;</b>	<b>AC</b>
10.0	9.125	8.25	0.44	1.38	0.25	1.13	10-32	23.3 8	3.22	10.6
<b>AA</b>	<b>AF</b>	<b>P</b>	<b>AB</b>	<b>AG</b>	<b>Upper Bearing Oil Capacity</b>		<b>Down Thrust</b>	<b>BX</b>		
1.25	3.98	13.6	14.06	26.8	NA		3200 lbs	1.188		

NOTE: Optional BX Coupling Dimensions Available.

### PERFORMANCE DATA

Three Phase – 60Hz - 230/460V – NEMA Design B - Max. Ambient: 40° C

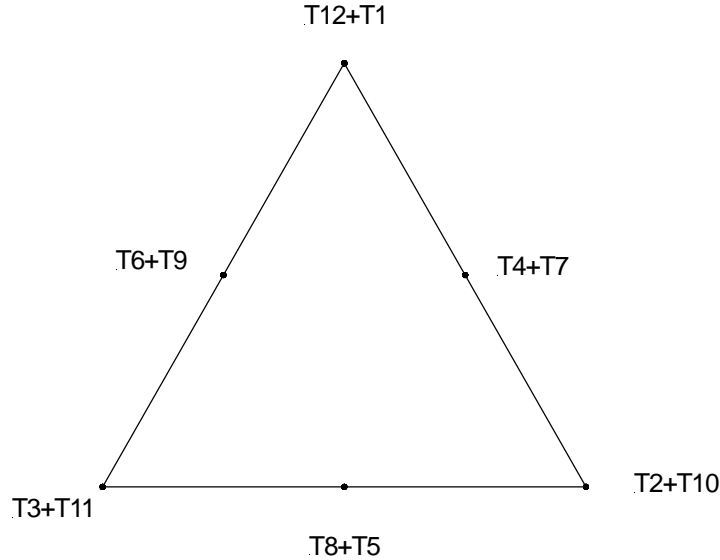
HP	Speed	Frame	NEMA Code	Efficiency (%)			Power Factor %			Torque (ft-lb)		
				100%	75%	50%	100%	75%	50%	FLT	BDT%	LRT%
15	1770	254TP	C	86.5	86.1	85.3	85.0	82.0	73.0	59.4	246	203
Amps ( 460V)		Angular Contact Bearing	Radial Ball Bearing	Insulation Class	Enclosure Type	Service Factor	Weight (lbs)					
FLA	LRA											
18.52	116.25	7312B	6212	F	ODP	1.15	548					



North American Electric, Inc. 350 Vaiden Drive, Hernando, MS 38632  
Toll Free: 1-800-884-0405 Phone: 662-429-8049 Fax: 662-429-8546

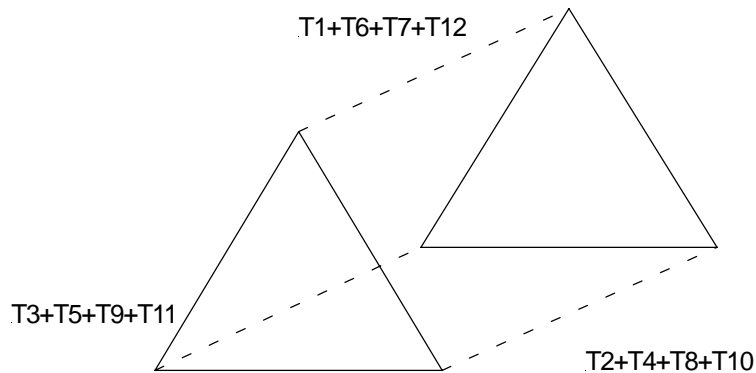
[www.naemotors.com](http://www.naemotors.com)

**Across The Line Start  
12 Lead DELTA Connection  
High Voltage 460V 60Hz**



L1	L2	L3	JOIN	JOIN	JOIN
T1+T12	T2+T10	T3+T11	T4+T7	T5+T8	T6+T9

**Across The Line Start  
12 Lead DELTA Connection  
Low Voltage 208-230V 60Hz**



L1	L2	L3
T1+T6+T7+T12	T2+T4+T8+T10	T3+T5+T9+T11