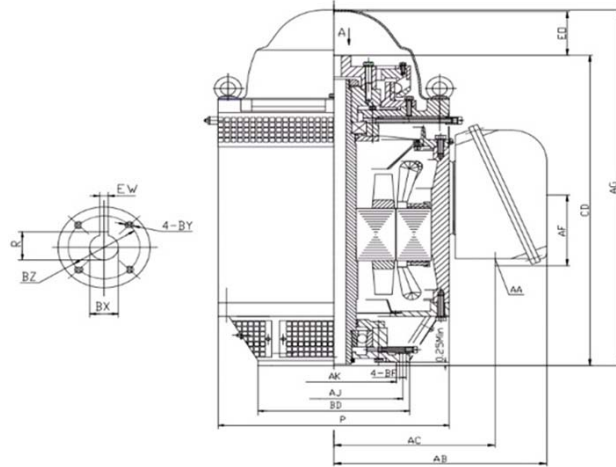


NAE-VHS-15-4

**VERTICAL HOLLOW SHAFT MOTOR
HIGH THRUST DESIGN
THREE PHASE, OPEN DRIP PROOF (WP1) ENCLOSURE
NON-REVERSE BALL BEARING RATCHET
COUPLING INCLUDED**



DIMENSIONS																
HP	RPM	Frame	MOUNTING DIMENSIONS													
			BD	AJ	AK	BF	BX	BZ	EW	R	BY	CD	E0 >	AC	AA	AF
15	1770	254TP	10.00	9.125	8.25	0.44	1.00	1.38	0.25	1.114	10-32	23.38	3.44	10.60	1.25	3.98

OVERALL DIMENSIONS			BEARINGS	
P	AB	AG	UPPER	BOTTOM
15.20	14.25	26.80	6212	7312B

COUPLING: Motor comes with a 1.0" coupling. You may select a different size coupling at no extra charge.

BEARING LUBRICATION: The bottom bearing comes lubricated with Mobile Polyrex EM Polyurea Grease.





NAE-VHS-15-4

**VERTICAL HOLLOW SHAFT MOTOR
HIGH THRUST DESIGN
THREE PHASE, OPEN DRIP PROOF (WP1) ENCLOSURE
NON-REVERSE BALL BEARING RATCHET**

PERFORMANCE DATA

HP	RPM	Frame	Voltage	Frequency (Hz)	Full Load S.F.	Insulation Class	NEMA Design	Slip (%)	NEMA Code	Enclosure Type	IP Rating	Max. Ambient	Rating CONT
15	1770	254TP	230/460	60	1.15	F	B	1.7	C	WP1	23	40° C	S1

Amps (460V)		Efficiency (%)				Power Factor			Torque (ft-lb)			Down Thrust	Angular Contact Bearing	Radial Ball Bearing	Connection	Weight (lbs.)
FLA	LRA	100%	75%	50%	Min.	100%	75%	50%	FLT	LRT %	BDT %	3200	UPPER	BOTTOM	12 Lead 2Δ/Δ	410
19.0	116.3	86.5	86.1	85.3	84.5	0.85	0.82	0.73	59.4	246	203		6212	7312B		

NAME PLATE

VERTICAL HOLLOW SHAFT ELECTRIC MOTOR				CONNECTION DIAGRAMS	
INVERTER DUTY 10:1 VT; 5:1 CT				HIGH THRUST DESIGN	
MODEL	NAE-VHS-15-4	PHASE	3	Hz	60
HP	15	FRAME	254TP	VOLTS	230/460
DESIGN	B	CODE	C	AMPS	38 / 19
NOM EFF.	86.5	P.F.	0.85	INSULATION CLASS	F
RATING CONT	S1	S.F.	1.15	MAX AMB.	40° C
				WEIGHT	410 LBS.
DOWN THRUST	3200	ENCLOSURE TYPE	WP1		
UPPER BEARING	6212	BOTTOM BEARING	7312B		
LUBRICATION	MOBILE POLYREX EM		LUBRICATION MOBILE POLYREX EM		
NON-REVERSE RATCHET - BALL TYPE		SERIAL NO.			
Specifically designed for use on deep well turbine pump applications. Hernando, Mississippi				PART WIND START CAPABLE @ 230V	

APPLICATIONS:

Specifically designed for use on deep well turbine pump applications. The coupling is equipped with a non-reverse ratchet, which prevents motor rotation from backspin at shutdown. These motors are built to NEMA standards and have special bearing arrangements to carry heavy thrust loads.