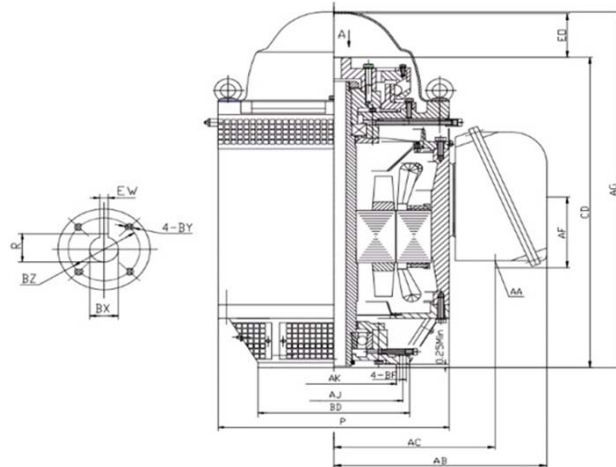




**NAE-VHS-10-4**

**VERTICAL HOLLOW SHAFT MOTOR  
 HIGH THRUST DESIGN  
 THREE PHASE, OPEN DRIP PROOF (WP1) ENCLOSURE  
 NON-REVERSE BALL BEARING RATCHET  
 COUPLING INCLUDED**



| DIMENSIONS |      |       |                     |       |      |      |      |      |      |       |       |       |      |      |      |      |
|------------|------|-------|---------------------|-------|------|------|------|------|------|-------|-------|-------|------|------|------|------|
| HP         | RPM  | Frame | MOUNTING DIMENSIONS |       |      |      |      |      |      |       |       |       |      |      |      |      |
|            |      |       | BD                  | AJ    | AK   | BF   | BX   | BZ   | EW   | R     | BY    | CD    | E0 > | AC   | AA   | AF   |
| 10         | 1750 | 215TP | 10.00               | 9.125 | 8.25 | 0.44 | 1.00 | 1.38 | 0.25 | 1.114 | 10-32 | 17.56 | 3.74 | 8.58 | 1.00 | 3.94 |

| OVERALL DIMENSIONS |       |       | BEARINGS |        |
|--------------------|-------|-------|----------|--------|
| P                  | AB    | AG    | UPPER    | BOTTOM |
| 13.60              | 10.83 | 21.29 | 6210     | 7310B  |

**COUPLING:** Motor comes with a 1.0" coupling. You may select a different size coupling at no extra charge.

**BEARING LUBRICATION:** The bottom bearing comes lubricated with Mobile Polyrex EM Polyurea Grease.





## NAE-VHS-10-4

**VERTICAL HOLLOW SHAFT MOTOR  
HIGH THRUST DESIGN  
THREE PHASE, OPEN DRIP PROOF (WP1) ENCLOSURE  
NON-REVERSE BALL BEARING RATCHET**

### PERFORMANCE DATA

| HP | RPM  | Frame | Voltage | Frequency (Hz) | Full Load S.F. | Insulation Class | NEMA Design | Slip (%) | NEMA Code | Enclosure Type | IP Rating | Max. Ambient | Rating CONT |
|----|------|-------|---------|----------------|----------------|------------------|-------------|----------|-----------|----------------|-----------|--------------|-------------|
| 10 | 1750 | 215TP | 230/460 | 60             | 1.15           | F                | B           | 2.8      | C         | WP1            | 23        | 40° C        | S1          |

| Amps (460V) |      | Efficiency (%) |      |      |      | Power Factor |      |      | Torque (ft-lb) |       |       | Down Thrust | Angular Contact Bearing | Radial Ball Bearing | Connection   | Weight (lbs.) |
|-------------|------|----------------|------|------|------|--------------|------|------|----------------|-------|-------|-------------|-------------------------|---------------------|--------------|---------------|
| FLA         | LRA  | 100%           | 75%  | 50%  | Min. | 100%         | 75%  | 50%  | FLT            | LRT % | BDT % | 2500        | UPPER                   | BOTTOM              | 12 Lead 2Δ/Δ | 238           |
| 12.8        | 82.0 | 85.7           | 86.4 | 86.3 | 83.7 | 0.85         | 0.84 | 0.77 | 40.9           | 245   | 195   |             | 6210                    | 7310B               |              |               |

### NAME PLATE

|  |                   |       |                |                            |                                |             |                 |
|--|-------------------|-------|----------------|----------------------------|--------------------------------|-------------|-----------------|
| <b>VERTICAL HOLLOW SHAFT ELECTRIC MOTOR</b>  |                   |       |                | <b>CONNECTION DIAGRAMS</b> |                                |             |                 |
| <b>INVERTER DUTY 10:1 VT; 5:1 CT</b>   |                   |       |                | <b>HIGH THRUST DESIGN</b>  |                                |             |                 |
| MODEL  | NAE-VHS-10-4      |       | PHASE          | 3                          | Hz                             | 60          |                 |
| HP   | 10                | FRAME | 215TP          |                            | VOLTS                          | 230/460     |                 |
| DESIGN   | B                 | CODE  | C              |                            | AMPS                           | 25.6 / 12.8 |                 |
| NOM EFF.   | 85.7              | P.F.  | 0.85           |                            | INSULATION CLASS               | F           |                 |
| RATING CONT  | S1                | S.F.  | 1.15           |                            | MAX AMB.                       | 40° C       | WEIGHT 238 LBS. |
| DOWN THRUST  | 2500              |       | ENCLOSURE TYPE | WP1                        |                                |             |                 |
| UPPER BEARING  | 6210              |       | BOTTOM BEARING | 7310B                      |                                |             |                 |
| LUBRICATION  | MOBILE POLYREX EM |       | LUBRICATION    | MOBILE POLYREX EM          |                                |             |                 |
| NON-REVERSE RATCHET - BALL TYPE  |                   |       | SERIAL NO.     |                            |                                |             |                 |
| Specifically designed for use on deep well turbine pump applications.<br>Hernando, Mississippi |                   |       |                |                            | PART WIND START CAPABLE @ 230V |             |                 |

### APPLICATIONS:

Specifically designed for use on deep well turbine pump applications. The coupling is equipped with a non-reverse ratchet, which prevents motor rotation from backspin at shutdown. These motors are built to NEMA standards and have special bearing arrangements to carry heavy thrust loads.