

PE447T-200-4-BB

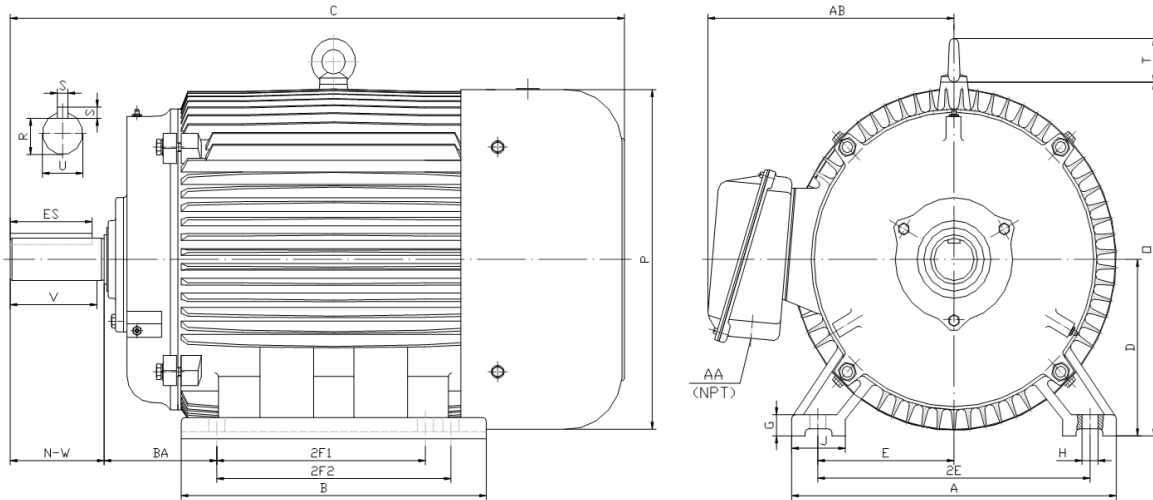
GENERAL PURPOSE ELECTRIC MOTOR

NEMA PREMIUM EFFICIENCY

TOTALLY ENCLOSED FAN COOLED

INVERTER DUTY 10:1 CT; 20:1 VT - NEMA MG1 PART 31

Factory Certified for T2B Class I, Division II, Groups A,B,C & D and Class II, Division II, Groups F & G



DIMENSIONS

HP	RPM	Frame	MOUNTING														
			A	B	C	D	G	H	J	E	2E	2F1	2F2	O	P	T	BA
200	1800	447T	21.70	26.40	47.80	11.00	1.35	0.81	3.35	9.00	18.00	16.50	20.00	23.00	23.40	3.00	7.50

Shaft Extension, Key Set						Conduit Box		Bearings		Mount
U	V	R	S	ES	N-W	AA	AB	DE	ODE	
3.375	8.25	2.880	0.875	6.91	8.50	3.00	19.90	6319	6318	

BEARING LUBRICATION: The bearings come lubricated with Mobil Polyrex EM Polyurea Grease. It is recommended that you add some additional lubrication when the motor is installed.

Three options (brands) for suitable lubrication include, but are not limited to, the following:

- 1.) Mobil Polyrex EM
- 2.) Citco Polyurea MP
- 3.) Conoco Phillips Polytac EP





PE447T-200-4-BB

GENERAL PURPOSE ELECTRIC MOTOR

NEMA PREMIUM EFFICIENCY

TOTALLY ENCLOSED FAN COOLED

INVERTER DUTY 10:1 CT; 20:1 VT - NEMA MG1 PART 31

Factory Certified for T2B Class I, Division II, Groups A,B,C & D and Class II, Division II, Groups F & G

PERFORMANCE DATA

HP	RPM	Frame	Voltage	Frequency (Hz)	Full Load S.F.	Insulation Class	NEMA Design	Slip (%)	NEMA Code	Enclosure Type	IP Rating	Max. Ambient
200	1790	447T	460	60	1.15	F	B	0.6	G	TEFC	55	40° C

Amps (460V)		Efficiency (%)				Power Factor			Torque (ft-lb)			DE Bearing	ODE Bearing	Connection	Weight (lbs.)
FLA	LRA	100%	75%	50%	Min.	100%	75%	50%	FLT	LRT %	BDT %				
220.0	1450	96.2	96.0	95.3	95.4	0.870	0.860	0.800	590.3	145	240	6319	6318	6 Lead Δ	1890

NAME PLATE

North American Electric, Inc.													CONNECTION DIAGRAMS (460V)		
INVERTER DUTY 20:1 VT; 10:1 CT										Across The Line 					
CAT NO: PE447T-200-4-BB			FRAME 447T			PHASE 3									
HZ 60	S.F. 1.15	HZ 50	S.F. 1.0	ENCL TEFC	IP 55										
HP 200	RPM 1790	HP 200	RPM 1488	DUTY CONT	DES B										
VOLTS 460		VOLTS 380		AMB 40° C	INS F										
FLA 220.0		FLA 270		DE BEARING 6319											
CODE G	P.F. 0.87	CODE F	P.F. 0.88	ODE BEARING 6318											
EFF 96.2	MIN 95.4	EFF 95	MIN 94.2	LUB: Mobil Polyrex EM											
MOTOR WEIGHT 1890.0 LBS		CONNECTION 6 Lead Δ			SER NO										
General purpose use on industrial machinery installed in damp, dusty or dirty environments. Hernando, Mississippi										CC 082A					

APPLICATIONS:

General purpose use on pumps, fans, blowers, compressors, conveyors, material handling and other industrial machinery installed in damp, dusty or dirty environments.