

**PE447TS-200-2-575V**

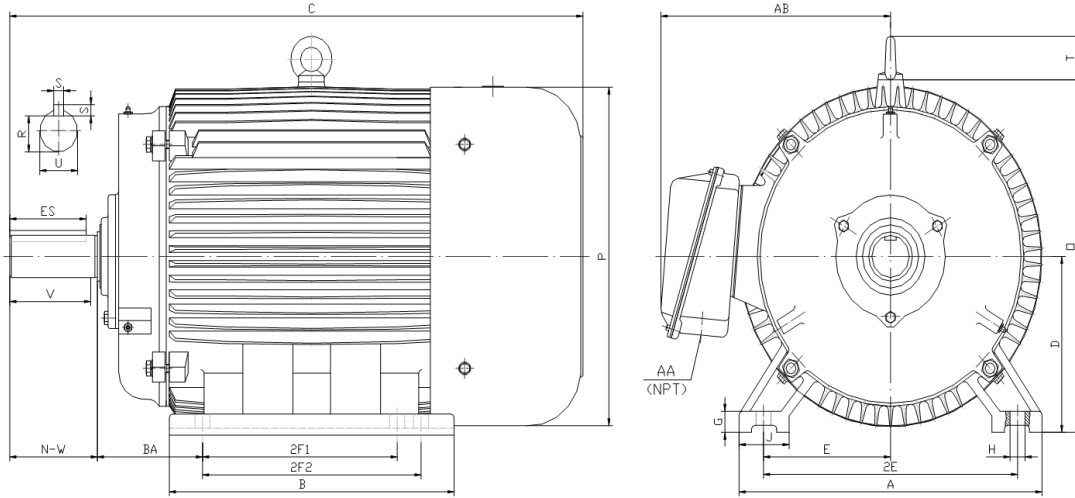
**GENERAL PURPOSE ELECTRIC MOTOR**

**NEMA PREMIUM EFFICIENCY**

**TOTALLY ENCLOSED FAN COOLED**

**INVERTER DUTY 10:1 CT; 20:1 VT - NEMA MG1 PART 31**

Factory Certified for T2B Class I, Division II, Groups A,B,C & D and Class II, Division II, Groups F & G



**DIMENSIONS**

HP	RPM	Frame	MOUNTING														
			A	B	C	D	G	H	J	E	2E	2F1	2F2	O	P	T	BA
200	3600	447TS	21.70	26.40	44.10	11.00	1.35	0.81	3.35	9.00	18.00	16.50	20.00	23.00	23.40	3.00	7.50

Shaft Extension, Key Set						Conduit Box		Bearings		Mount
U	V	R	S	ES	N-W	AA	AB	DE	ODE	
2.38	4.50	2.02	0.63	3.03	4.75	3.00	19.90	6314	6314	F1

**BEARING LUBRICATION:** The bearings come lubricated with Mobil Polyrex EM Polyurea Grease. It is recommended that you add some additional lubrication when the motor is installed.

Three options (brands) for suitable lubrication include, but are not limited to, the following:

- 1.) Mobil Polyrex EM
- 2.) Citco Polyurea MP
- 3.) Conoco Phillips Polytac EP





**PE447TS-200-2-575V**

**GENERAL PURPOSE ELECTRIC MOTOR**

**NEMA PREMIUM EFFICIENCY**

**TOTALLY ENCLOSED FAN COOLED**

**INVERTER DUTY 10:1 CT; 20:1 VT - NEMA MG1 PART 31**

Factory Certified for T2B Class I, Division II, Groups A,B,C & D and Class II, Division II, Groups F & G

**PERFORMANCE DATA**

HP	RPM	Frame	Voltage	Frequency (Hz)	Full Load S.F.	Insulation Class	NEMA Design	Slip (%)	NEMA Code	Enclosure Type	IP Rating	Max. Ambient
200	3580	447TS	575	60	1.15	F	B	0.6	G	TEFC	55	40° C

Amps (575V)		Efficiency (%)				Power Factor			Torque (ft-lb)			DE Bearing	ODE Bearing	Connection	Weight (lbs.)
FLA	LRA	100%	75%	50%	Min.	100%	75%	50%	FLT	LRT %	BDT %				
177.6	1160	95.4	94.8	94.3	94.5	0.920	0.900	0.860	293.9	130	240	6314	6314	6 Lead Δ	1584

**NAME PLATE**

									<b>CONNECTION DIAGRAM</b>  <b>575 V Delta</b> 			
<b>INVERTER DUTY 20:1 VT; 10:1 CT</b>												
CAT NO:		PE447TS-200-2-575V		HP	200	Hz	60	PHASE	3			
VOLTS		575		FLA	177.6		IP RATING		55			
RPM		3580		POWER FACTOR		0.92		DESIGN		B		
FRAME		447TS		NEMA NOM EFF		95.4		CODE		G		
DRIVE END BEARING		6314		NEMA MIN EFF		94.5		S.F.		1.15		
OPP DRIVE END BEARING		6314		MAX AMB		40° C		INS CLASS		F		
ENCL		TEFC		RATING	CONT	SER						
MOTOR WEIGHT		1584 LBS		CONNECTION		6 Lead Δ		LUB:		Mobil Polyrex EM		
General purpose use on industrial machinery installed in damp, dusty or dirty environments. Hernando, Mississippi												CC 082A

**APPLICATIONS:**

General purpose use on pumps, fans, blowers, compressors, conveyors, material handling and other industrial machinery installed in damp, dusty or dirty environments.