

PE445T-150-4-IN

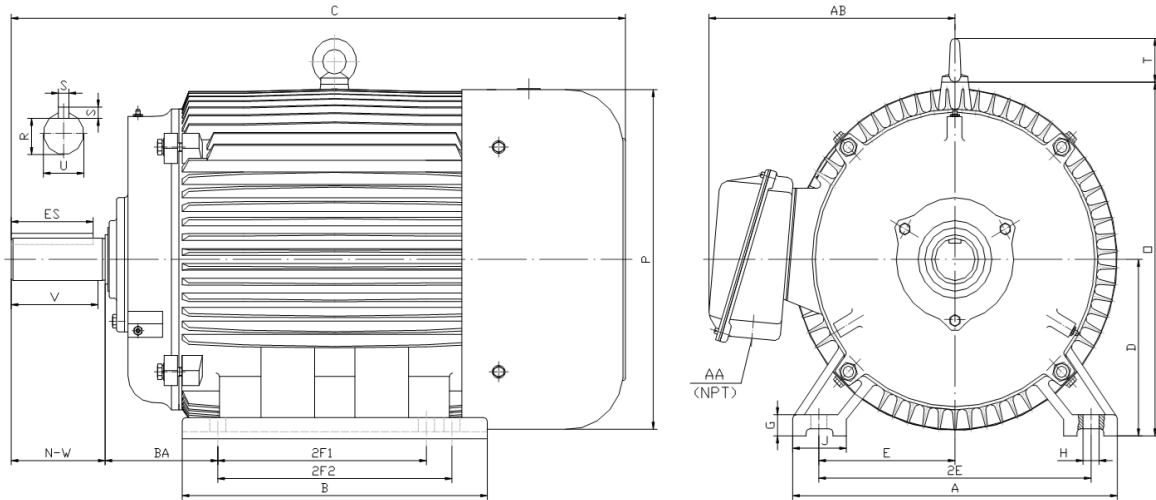
GENERAL PURPOSE ELECTRIC MOTOR

NEMA PREMIUM EFFICIENCY

TOTALLY ENCLOSED FAN COOLED

INVERTER DUTY 10:1 CT; 20:1 VT - NEMA MG1 PART 31

Factory Certified for T2B Class I, Division II, Groups A,B,C & D and Class II, Division II, Groups F & G



DIMENSIONS

HP	RPM	Frame	MOUNTING														
			A	B	C	D	G	H	J	E	2E	2F1	2F2	O	P	T	BA
150	1800	445T	21.70	22.90	44.30	11.00	1.35	0.81	3.35	9.00	18.00	14.50	16.50	23.00	23.40	3.00	7.50

Shaft Extension, Key Set						Conduit Box		Bearings		Mount
U	V	R	S	ES	N-W	AA	AB	DE	ODE	
3.375	8.25	2.880	0.875	6.91	8.50	3.00	19.90	NU319	6318/C3 VL0241	F1

BEARING LUBRICATION: The bearings come lubricated with Mobil Polyrex EM Polyurea Grease. It is recommended that you add some additional lubrication when the motor is installed.

Three options (brands) for suitable lubrication include, but are not limited to, the following:

- 1.) Mobil Polyrex EM
- 2.) Citco Polyurea MP
- 3.) Conoco Phillips Polytac EP





PE445T-150-4-IN

GENERAL PURPOSE ELECTRIC MOTOR

NEMA PREMIUM EFFICIENCY

TOTALLY ENCLOSED FAN COOLED

INVERTER DUTY 10:1 CT; 20:1 VT - NEMA MG1 PART 31

Factory Certified for T2B Class I, Division II, Groups A,B,C & D and Class II, Division II, Groups F & G

PERFORMANCE DATA

HP	RPM	Frame	Voltage	Frequency (Hz)	Full Load S.F.	Insulation Class	NEMA Design	Slip (%)	NEMA Code	Enclosure Type	IP Rating	Max. Ambient
150	1790	445T	460	60	1.15	F	B	0.6	G	TEFC	55	40° C

Amps (460V)		Efficiency (%)				Power Factor			Torque (ft-lb)			DE Bearing	ODE Bearing	Connection	Weight (lbs.)
FLA	LRA	100%	75%	50%	Min.	100%	75%	50%	FLT	LRT %	BDT %				
171.0	1085	95.8	95.8	95.0	95.0	0.870	0.860	0.800	442.7	150	250	NU319	6318/C3VL0241	6 Lead Δ	1683

NAME PLATE

North American Electric, Inc.													CONNECTION DIAGRAMS (460V)		
INVERTER DUTY 20:1 VT; 10:1 CT										Across The Line 					
CAT NO: PE445T-150-4-IN			FRAME 445T			PHASE 3									
HZ 60		S.F. 1.15		HZ 50		S.F. 1.0		ENCL TEFC		IP 55					
HP 150		RPM 1790		HP 150		RPM 1488		DUTY CONT		DES B					
VOLTS 460			VOLTS 380			AMB 40° C		INS F							
FLA 171.0		FLA 203			DE BEARING NU319										
CODE G		P.F. 0.87		CODE F		P.F. 0.88		ODE BEARING 6318/C3VL0241							
EFF 95.8		MIN 95.0		EFF 93.5		MIN 92.7		LUB: Mobil Polyrex EM							
MOTOR WEIGHT 1683.0 LBS			CONNECTION 6 Lead Δ			SER NO									
General purpose use on industrial machinery installed in damp, dusty or dirty environments. Hernando, Mississippi										CC 082A					

APPLICATIONS:

General purpose use on pumps, fans, blowers, compressors, conveyors, material handling and other industrial machinery installed in damp, dusty or dirty environments.