

PE445TS-150-2

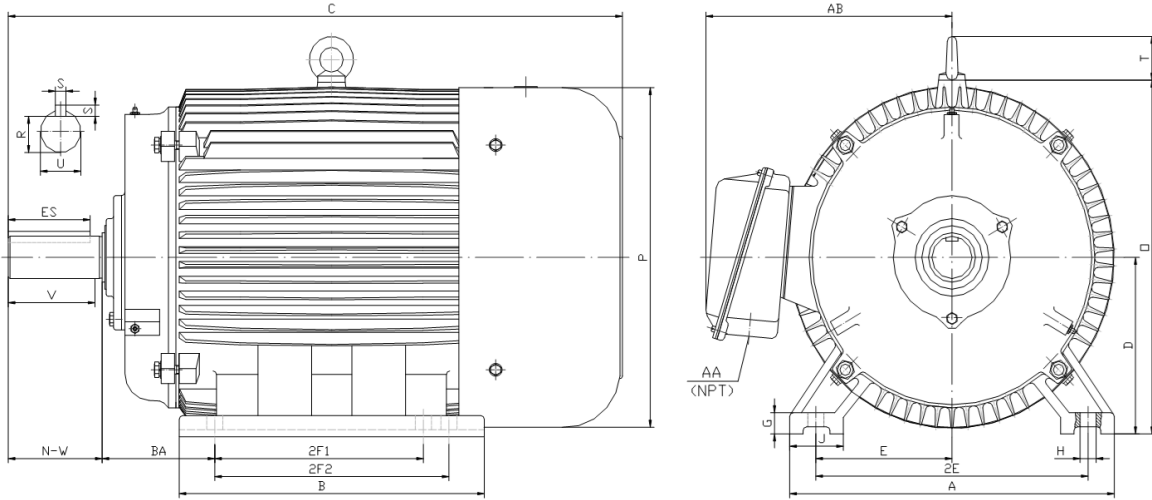
GENERAL PURPOSE ELECTRIC MOTOR

NEMA PREMIUM EFFICIENCY

TOTALLY ENCLOSED FAN COOLED

INVERTER DUTY 10:1 CT; 20:1 VT - NEMA MG1 PART 31

Factory Certified for T2B Class I, Division II, Groups A,B,C & D and Class II, Division II, Groups F & G



DIMENSIONS

HP	RPM	Frame	MOUNTING														
			A	B	C	D	G	H	J	E	2E	2F1	2F2	O	P	T	BA
150	3600	445TS	21.70	22.90	40.60	11.00	1.35	0.81	3.35	9.00	18.00	14.50	16.50	23.00	23.40	3.00	7.50

Shaft Extension, Key Set						Conduit Box		Bearings		Mount
U	V	R	S	ES	N-W	AA	AB	DE	ODE	
2.375	4.50	2.021	0.625	3.03	4.75	3.00	19.90	6314	6314	F1

BEARING LUBRICATION: The bearings come lubricated with Mobil Polyrex EM Polyurea Grease. It is recommended that you add some additional lubrication when the motor is installed.

Three options (brands) for suitable lubrication include, but are not limited to, the following:

- 1.) Mobil Polyrex EM
- 2.) Citco Polyurea MP
- 3.) Conoco Phillips Polytac EP





PE445TS-150-2

GENERAL PURPOSE ELECTRIC MOTOR

NEMA PREMIUM EFFICIENCY

TOTALLY ENCLOSED FAN COOLED

INVERTER DUTY 10:1 CT; 20:1 VT - NEMA MG1 PART 31

Factory Certified for T2B Class I, Division II, Groups A,B,C & D and Class II, Division II, Groups F & G

PERFORMANCE DATA

HP	RPM	Frame	Voltage	Frequency (Hz)	Full Load S.F.	Insulation Class	NEMA Design	Slip (%)	NEMA Code	Enclosure Type	IP Rating	Max. Ambient
150	3580	445TS	460	60	1.15	F	B	0.6	G	TEFC	55	40° C

Amps (460V)		Efficiency (%)				Power Factor			Torque (ft-lb)			DE Bearing	ODE Bearing	Connection	Weight (lbs.)
FLA	LRA	100%	75%	50%	Min.	100%	75%	50%	FLT	LRT %	BDT %				
166.0	1085	95.0	94.5	93.8	94.1	0.900	0.880	0.860	220.4	130	245	6314	6314	6 Lead Δ	1459

NAME PLATE

North American Electric, Inc.													CONNECTION DIAGRAMS (460V)					
INVERTER DUTY 20:1 VT; 10:1 CT										Across The Line								
CAT NO:		PE445TS-150-2				FRAME		445TS		PHASE		3						
HZ 60		S.F. 1.15		HZ 50		S.F. 1.0		ENCL TEFC		IP 55								
HP 150		RPM 3580		HP 150		RPM 2980		DUTY CONT		DES B								
VOLTS 460			VOLTS 380			AMB 40° C		INS F										
FLA 166.0		FLA 197				DE BEARING		6314										
CODE G		P.F. 0.90		CODE F		P.F. 0.91		ODE BEARING		6314								
EFF 95.0		MIN 94.1		EFF 93.5		MIN 92.6		LUB: Mobil Polyrex EM										
MOTOR WEIGHT 1459.0 LBS		CONNECTION 6 Lead Δ				SER NO												
General purpose use on industrial machinery installed in damp, dusty or dirty environments. Hernando, Mississippi										CC 082A			PWS Start					
										PWS Run								

APPLICATIONS:

General purpose use on pumps, fans, blowers, compressors, conveyors, material handling and other industrial machinery installed in damp, dusty or dirty environments.