

**PE445T-125-6-IN**

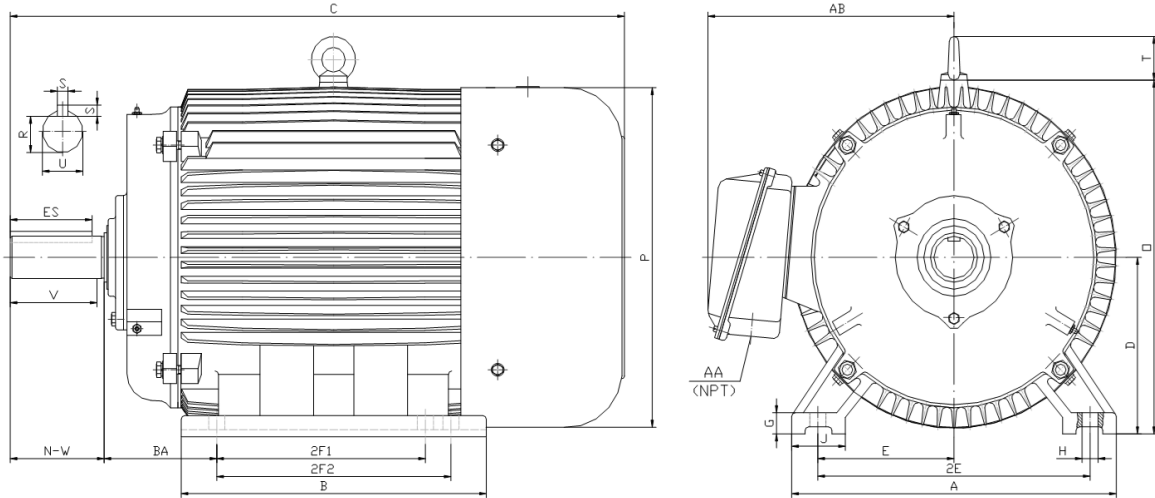
**GENERAL PURPOSE ELECTRIC MOTOR**

**NEMA PREMIUM EFFICIENCY**

**TOTALLY ENCLOSED FAN COOLED**

**INVERTER DUTY 10:1 CT; 20:1 VT - NEMA MG1 PART 31**

Factory Certified for T2B Class I, Division II, Groups A,B,C & D and Class II, Division II, Groups F & G



**DIMENSIONS**

HP	RPM	Frame	MOUNTING														
			A	B	C	D	G	H	J	E	2E	2F1	2F2	O	P	T	BA
125	1200	445T	21.70	22.90	44.30	11.00	1.35	0.81	3.35	9.00	18.00	14.50	16.50	23.00	23.40	3.00	7.50

Shaft Extension, Key Set						Conduit Box		Bearings		Mount
U	V	R	S	ES	N-W	AA	AB	DE	ODE	
3.375	8.25	2.880	0.875	6.91	8.50	3.00	19.90	NU319	6318/C3 VL0241	

**BEARING LUBRICATION:** The bearings come lubricated with Mobil Polyrex EM Polyurea Grease. It is recommended that you add some additional lubrication when the motor is installed.

Three options (brands) for suitable lubrication include, but are not limited to, the following:

- 1.) Mobil Polyrex EM
- 2.) Citco Polyurea MP
- 3.) Conoco Phillips Polytac EP





## PE445T-125-6-IN

**GENERAL PURPOSE ELECTRIC MOTOR**

**NEMA PREMIUM EFFICIENCY**

**TOTALLY ENCLOSED FAN COOLED**

**INVERTER DUTY 10:1 CT; 20:1 VT - NEMA MG1 PART 31**

Factory Certified for T2B Class I, Division II, Groups A,B,C & D and Class II, Division II, Groups F & G

### PERFORMANCE DATA

HP	RPM	Frame	Voltage	Frequency (Hz)	Full Load S.F.	Insulation Class	NEMA Design	Slip (%)	NEMA Code	Enclosure Type	IP Rating	Max. Ambient
125	1185	445T	460	60	1.15	F	B	1.3	G	TEFC	55	40° C

Amps (460V)		Efficiency (%)				Power Factor			Torque (ft-lb)			DE Bearing	ODE Bearing	Connection	Weight (lbs.)
FLA	LRA	100%	75%	50%	Min.	100%	75%	50%	FLT	LRT %	BDT %				
147.0	907	95.0	95.0	95.0	94.1	0.810	0.790	0.720	553.5	150	245	NU319	6318/C3VL0 241	6 Lead Δ	1562

### NAME PLATE

<b>North American Electric, Inc.</b>													<b>CONNECTION DIAGRAMS (460V)</b>		
<b>INVERTER DUTY 20:1 VT; 10:1 CT</b>										<b>Across The Line</b> 					
CAT NO: PE445T-125-6-IN			FRAME 445T			PHASE 3									
HZ 60		S.F. 1.15		HZ 50		S.F. 1.0		ENCL TEFC		IP 55					
HP 125		RPM 1185		HP 125		RPM 985		DUTY CONT		DES B					
VOLTS 460			VOLTS 380			AMB 40° C		INS F							
FLA 147.0		FLA 185			DE BEARING NU319										
CODE G		P.F. 0.81		CODE F		P.F. 0.82		ODE BEARING 6318/C3VL0241							
EFF 95.0		MIN 94.1		EFF 93.5		MIN 92.6		LUB: Mobil Polyrex EM							
MOTOR WEIGHT 1562.0 LBS		CONNECTION 6 Lead Δ			SER NO										
General purpose use on industrial machinery installed in damp, dusty or dirty environments. Hernando, Mississippi										CC 082A			<b>PWS Start</b> 		
										<b>PWS Run</b> 					

### APPLICATIONS:

General purpose use on pumps, fans, blowers, compressors, conveyors, material handling and other industrial machinery installed in damp, dusty or dirty environments.