

## PE444TS-125-2

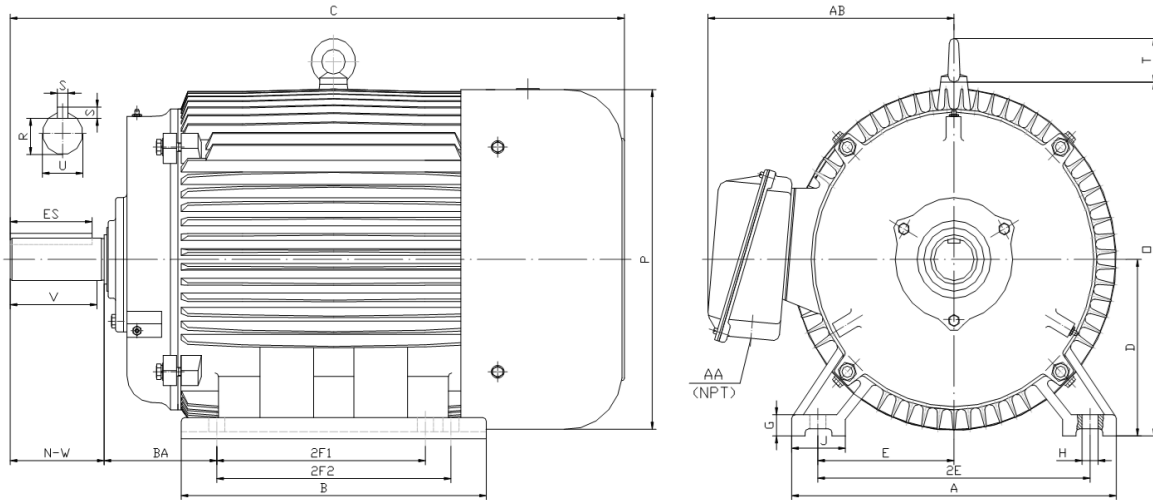
GENERAL PURPOSE ELECTRIC MOTOR

NEMA PREMIUM EFFICIENCY

TOTALLY ENCLOSED FAN COOLED

INVERTER DUTY 10:1 CT; 20:1 VT - NEMA MG1 PART 31

Factory Certified for T2B Class I, Division II, Groups A,B,C & D and Class II, Division II, Groups F & G



### DIMENSIONS

HP	RPM	Frame	MOUNTING														
			A	B	C	D	G	H	J	E	2E	2F1	2F2	O	P	T	BA
125	3600	444TS	21.70	22.90	40.60	11.00	1.35	0.81	3.35	9.00	18.00	14.50	16.50	23.00	23.40	3.00	7.50

Shaft Extension, Key Set						Conduit Box		Bearings		Mount
U	V	R	S	ES	N-W	AA	AB	DE	ODE	
2.375	4.50	2.021	0.625	3.03	4.75	3.00	19.90	6314	6314	F1

**BEARING LUBRICATION:** The bearings come lubricated with Mobil Polyrex EM Polyurea Grease. It is recommended that you add some additional lubrication when the motor is installed.

Three options (brands) for suitable lubrication include, but are not limited to, the following:

- 1.) Mobil Polyrex EM
- 2.) Citco Polyurea MP
- 3.) Conoco Phillips Polytac EP





## PE444TS-125-2

**GENERAL PURPOSE ELECTRIC MOTOR**

**NEMA PREMIUM EFFICIENCY**

**TOTALLY ENCLOSED FAN COOLED**

**INVERTER DUTY 10:1 CT; 20:1 VT - NEMA MG1 PART 31**

Factory Certified for T2B Class I, Division II, Groups A,B,C & D and Class II, Division II, Groups F & G

### PERFORMANCE DATA

HP	RPM	Frame	Voltage	Frequency (Hz)	Full Load S.F.	Insulation Class	NEMA Design	Slip (%)	NEMA Code	Enclosure Type	IP Rating	Max. Ambient
125	3580	444TS	460	60	1.15	F	B	0.6	G	TEFC	55	40° C

Amps (460V)		Efficiency (%)				Power Factor			Torque (ft-lb)			DE Bearing	ODE Bearing	Connection	Weight (lbs.)
FLA	LRA	100%	75%	50%	Min.	100%	75%	50%	FLT	LRT %	BDT %				
140.0	907	95.0	94.4	93.8	94.1	0.920	0.900	0.860	183.8	130	250	6314	6314	6 Lead Δ	1331

### NAME PLATE

<b>North American Electric, Inc.</b>													<b>CONNECTION DIAGRAMS (460V)</b>		
<b>INVERTER DUTY 20:1 VT; 10:1 CT</b>										<b>Across The Line</b> 					
CAT NO: PE444TS-125-2			FRAME 444TS			PHASE 3									
HZ 60	S.F. 1.15	HZ 50	S.F. 1.0	ENCL TEFC	IP 55										
HP 125	RPM 3580	HP 125	RPM 2980	DUTY CONT	DES B										
VOLTS 460		VOLTS 380		AMB 40° C	INS F										
FLA 140.0		FLA 164		DE BEARING 6314											
CODE G	P.F. 0.92	CODE F	P.F. 0.93	ODE BEARING 6314											
EFF 95.0	MIN 94.1	EFF 93.5	MIN 92.6	LUB: Mobil Polyrex EM											
MOTOR WEIGHT 1331.0 LBS		CONNECTION 6 Lead Δ			SER NO										
General purpose use on industrial machinery installed in damp, dusty or dirty environments. Hernando, Mississippi										CC 082A					

### APPLICATIONS:

General purpose use on pumps, fans, blowers, compressors, conveyors, material handling and other industrial machinery installed in damp, dusty or dirty environments.