

PE449T-300-4

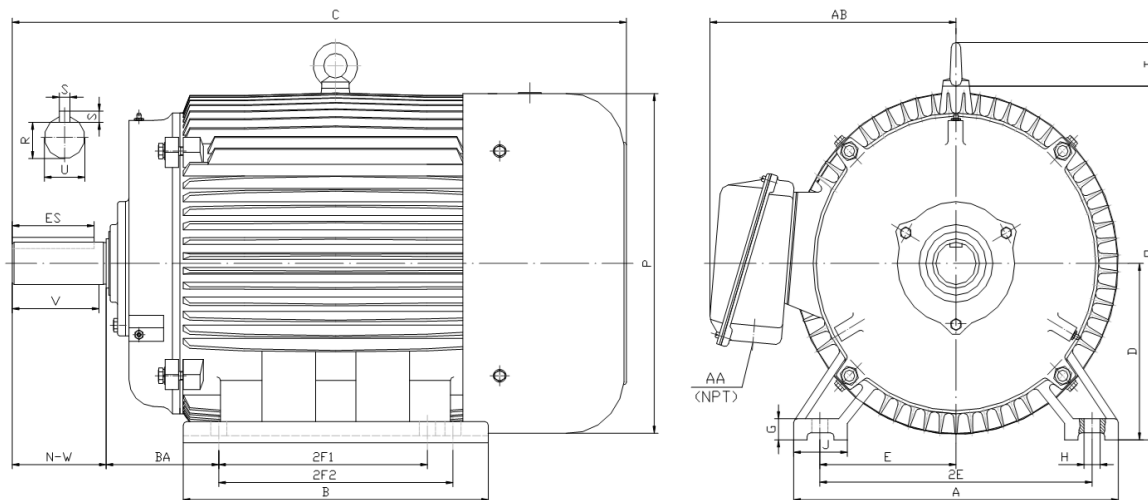
GENERAL PURPOSE ELECTRIC MOTOR

NEMA PREMIUM EFFICIENCY

TOTALLY ENCLOSED FAN COOLED

INVERTER DUTY 10:1 CT; 20:1 VT - NEMA MG1 PART 31

Factory Certified for T2B Class I, Division II, Groups A,B,C & D and Class II, Division II, Groups F & G



DIMENSIONS

HP	RPM	Frame	MOUNTING														
			A	B	C	D	G	H	J	E	2E	2F1	2F2	O	P	T	BA
300	1800	449T	21.70	31.40	52.80	11.00	1.35	0.81	3.35	9.00	18.00	20.00	25.00	23.00	23.40	3.00	7.50

Shaft Extension, Key Set						Conduit Box		Bearings		Mount
U	V	R	S	ES	N-W	AA	AB	DE	ODE	
3.375	8.25	2.880	0.875	6.91	8.50	3.00	19.90	NU319	6318	F1

BEARING LUBRICATION: The bearings come lubricated with Mobil Polyrex EM Polyurea Grease. It is recommended that you add some additional lubrication when the motor is installed.

Three options (brands) for suitable lubrication include, but are not limited to, the following:

- 1.) Mobil Polyrex EM
- 2.) Citco Polyurea MP
- 3.) Conoco Phillips Polytac EP





PE449T-300-4

GENERAL PURPOSE ELECTRIC MOTOR

NEMA PREMIUM EFFICIENCY

TOTALLY ENCLOSED FAN COOLED

INVERTER DUTY 10:1 CT; 20:1 VT - NEMA MG1 PART 31

Factory Certified for T2B Class I, Division II, Groups A,B,C & D and Class II, Division II, Groups F & G

PERFORMANCE DATA

HP	RPM	Frame	Voltage	Frequency (Hz)	Full Load S.F.	Insulation Class	NEMA Design	Slip (%)	NEMA Code	Enclosure Type	IP Rating	Max. Ambient
300	1790	449T	460	60	1.15	F	B	0.6	G	TEFC	55	40° C

Amps (460V)		Efficiency (%)				Power Factor			Torque (ft-lb)			DE Bearing	ODE Bearing	Connection	Weight (lbs.)
FLA	LRA	100%	75%	50%	Min.	100%	75%	50%	FLT	LRT %	BDT %				
330.0	2200	96.2	96.0	95.6	95.4	0.870	0.860	0.800	885.4	140	245	NU319	6318	6 Lead Δ	2196

NAME PLATE

North American Electric, Inc.													CONNECTION DIAGRAMS (460V)					
INVERTER DUTY 20:1 VT; 10:1 CT										Across The Line								
CAT NO: PE449T-300-4			FRAME 449T			PHASE 3												
HZ 60		S.F. 1.15		HZ 50		S.F. 1.0		ENCL TEFC		IP 55								
HP 300		RPM 1790		HP 300		RPM 1488		DUTY CONT		DES B								
VOLTS 460			VOLTS 380			AMB 40° C		INS F										
FLA 330.0			FLA 411			DE BEARING NU319												
CODE G		P.F. 0.87		CODE F		P.F. 0.87		ODE BEARING 6318										
EFF 96.2		MIN 95.4		EFF 95		MIN 94.2		LUB: Mobil Polyrex EM										
MOTOR WEIGHT 2196.0 LBS			CONNECTION 6 Lead Δ			SER NO												
General purpose use on industrial machinery installed in damp, dusty or dirty environments. Hernando, Mississippi										CC 082A			PWS Start					
										PWS Run								

APPLICATIONS:

General purpose use on pumps, fans, blowers, compressors, conveyors, material handling and other industrial machinery installed in damp, dusty or dirty environments.