

PE256T-20-4-575V

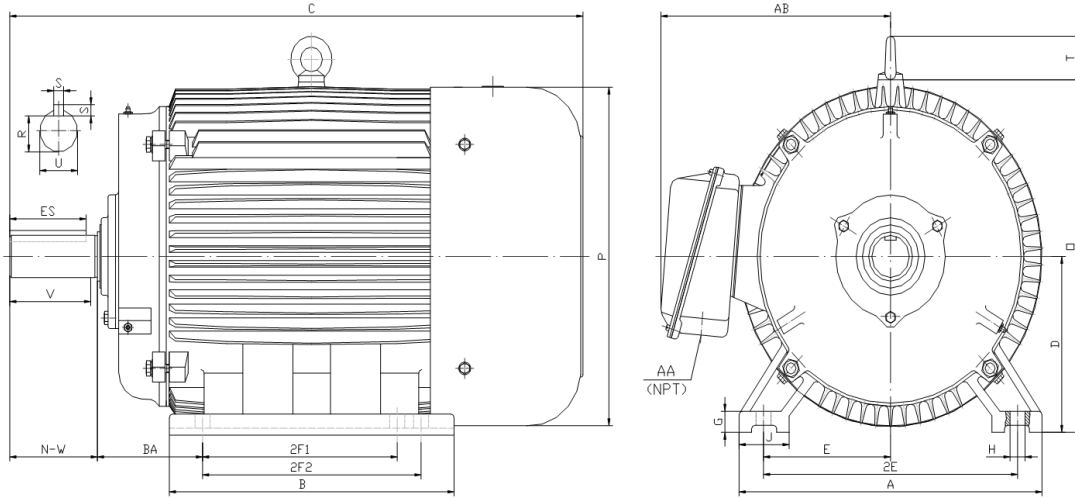
GENERAL PURPOSE ELECTRIC MOTOR

NEMA PREMIUM EFFICIENCY

TOTALLY ENCLOSED FAN COOLED

INVERTER DUTY 10:1 CT; 20:1 VT - NEMA MG1 PART 31

Factory Certified for T2B Class I, Division II, Groups A,B,C & D and Class II, Division II, Groups F & G



DIMENSIONS

HP	RPM	Frame	MOUNTING														
			A	B	C	D	G	H	J	E	2E	2F1	2F2	O	P	T	BA
20	1800	256T	13.00	12.20	25.00	6.25	0.70	0.53	2.75	5.00	10.00	8.25	10.00	13.20	12.80	2.20	4.25

Shaft Extension, Key Set						Conduit Box		Bearings		Mount
U	V	R	S	ES	N-W	AA	AB	DE	ODE	
1.63	3.75	1.42	0.38	2.91	4.00	1.25	10.30	6309	6309	F1

BEARING LUBRICATION: The bearings come lubricated with Mobil Polyrex EM Polyurea Grease. It is recommended that you add some additional lubrication when the motor is installed.

Three options (brands) for suitable lubrication include, but are not limited to, the following:

- 1.) Mobil Polyrex EM
- 2.) Citco Polyurea MP
- 3.) Conoco Phillips Polytac EP





PE256T-20-4-575V

GENERAL PURPOSE ELECTRIC MOTOR

NEMA PREMIUM EFFICIENCY

TOTALLY ENCLOSED FAN COOLED

INVERTER DUTY 10:1 CT; 20:1 VT - NEMA MG1 PART 31

Factory Certified for T2B Class I, Division II, Groups A,B,C & D and Class II, Division II, Groups F & G

PERFORMANCE DATA

HP	RPM	Frame	Voltage	Frequency (Hz)	Full Load S.F.	Insulation Class	NEMA Design	Slip (%)	NEMA Code	Enclosure Type	IP Rating	Max. Ambient
20	1760	256T	575	60	1.15	F	B	2.2	G	TEFC	55	40° C

Amps (575V)		Efficiency (%)				Power Factor			Torque (ft-lb)			DE Bearing	ODE Bearing	Connection	Weight (lbs.)
FLA	LRA	100%	75%	50%	Min.	100%	75%	50%	FLT	LRT %	BDT %				
19.4	116	93.0	93.2	93.0	91.7	0.830	0.780	0.670	59.8	160	260	6309	6309	6 Lead Δ	317

NAME PLATE

									CONNECTION DIAGRAM 575 V Delta 								
INVERTER DUTY 20:1 VT; 10:1 CT																	
CAT NO:		PE256T-20-4-575V		HP	20	Hz	60	PHASE	3								
VOLTS		575		FLA	19.4		IP RATING		55								
RPM	1760		POWER FACTOR		0.83		DESIGN		B								
FRAME	256T		NEMA NOM EFF		93.0		CODE		G								
DRIVE END BEARING	6309		NEMA MIN EFF		91.7		S.F.		1.15								
OPP DRIVE END BEARING	6309		MAX AMB		40° C		INS CLASS		F								
ENCL	TEFC		RATING	CONT		SER											
MOTOR WEIGHT	317	LBS	CONNECTION	6 Lead Δ		LUB:			Mobil Polyrex EM								
General purpose use on industrial machinery installed in damp, dusty or dirty environments. Hernando, Mississippi												CC 082A					

APPLICATIONS:

General purpose use on pumps, fans, blowers, compressors, conveyors, material handling and other industrial machinery installed in damp, dusty or dirty environments.