

**PE587U-400-4C-BB**

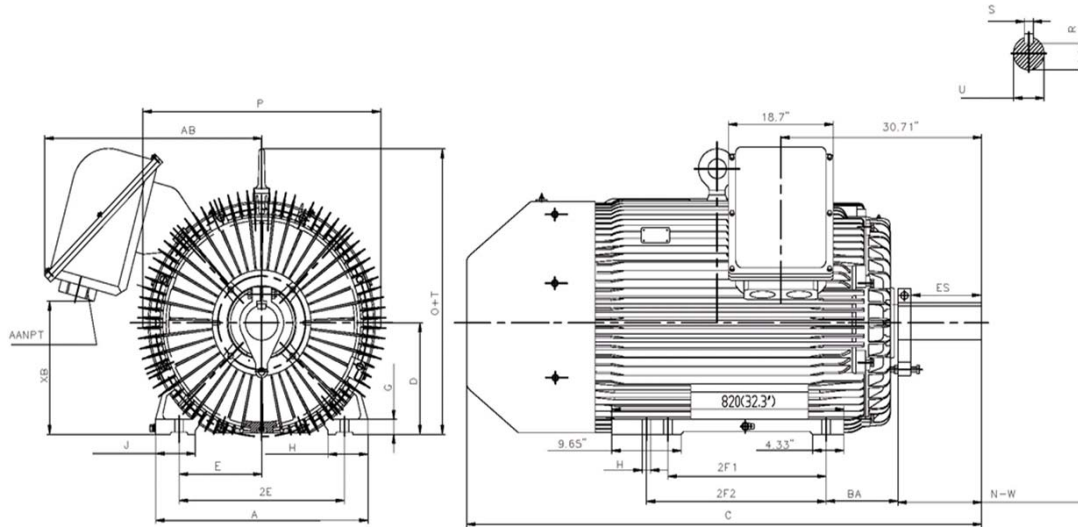
**CRUSHER DUTY MOTOR**

**HIGH TORQUE / PREMIUM EFFICIENCY DESIGN**

**TOTALLY ENCLOSED FAN COOLED**

**HEAVY DUTY CAST IRON CONSTRUCTION**

Factory Certified for T2B Class I, Division II, Groups A,B,C & D and Class II, Division II, Groups F & G



**DIMENSIONS**

HP	RPM	Frame	MOUNTING														
			A	B	C	D	G	H	J	E	2E	2F1	2F2	O	P	T	BA
400	1800	587U	29.53	32.38	71.65	14.50	1.97	1.13	5.51	11.50	23.00	22.00	25.00	41.36	33.07	5.88	10.00

Shaft Extension, Key Set						Conduit Box		Bearings		Mount
U	V	R	S	ES	N-W	AA	AB	DE	ODE	
3.875	11.25	3.817	1.00	10.00	11.63	2 X 3"	28.15	6324	6319	F1

**BEARING LUBRICATION:** The bearings come lubricated with Mobil Polyrex EM Polyurea Grease. It is recommended that you add some additional lubrication when the motor is installed.

Three options (brands) for suitable lubrication include, but are not limited to, the following:

- 1.) Mobil Polyrex EM
- 2.) Citco Polyurea MP
- 3.) Conoco Phillips Polytac EP





**PE587U-400-4C-BB**

**CRUSHER DUTY MOTOR  
HIGH TORQUE / PREMIUM EFFICIENCY DESIGN  
TOTALLY ENCLOSED FAN COOLED  
HEAVY DUTY CAST IRON CONSTRUCTION**

Factory Certified for T2B Class I, Division II, Groups A,B,C & D and Class II, Division II, Groups F & G

**PERFORMANCE DATA**

HP	RPM	Frame	Voltage	Frequency (Hz)	Full Load S.F.	Insulation Class	NEMA Design	Slip (%)	NEMA Code	Enclosure Type	IP Rating	Max. Ambient
400	1789	587U	460	60	1.15	F	C	0.6	G	TEFC	55	40° C

Amps (460V)		Efficiency (%)				Power Factor			Torque (ft-lb)			DE Bearing	ODE Bearing	Connection	Weight (lbs.)
FLA	LRA	100%	75%	50%	Min.	100%	75%	50%	FLT	LRT %	BDT %				
434.9	2900	96.2	95.9	95.3	95.4	0.887	0.862	0.842	1603	200	250	6324	6319	12 Lead Δ	4983

**NAME PLATE**

						<b>CONNECTION DIAGRAMS</b> <b>Across The Line</b> 													
<b>CRUSHER DUTY MOTOR</b>																			
CAT NO:		PE587U-400-4C-BB		FRAME		587U		PHASE		3		<b>PWS Start</b> 							
DE BRG		6324		ODE BRG		6319		CONN.		12 Lead Δ									
MAX AMB.		40° C		INS. CLASS		F		RATING		CONT		WEIGHT		4983					
LUBRICATION				Mobil Polyrex EM				SER				<b>PWS Run</b> 							
60 HERTZ DATA	HP		400		RPM		1789		HP		400				RPM		1490		
	VOLTS				460				VOLTS						380				
	F.L. AMPS				434.9				F.L. AMPS						526.5				
	S.F. AMPS				500.1				S.F. AMPS						526.5				
	S.F. 1.15 DESIGN C CODE G				S.F. 1.0 DESIGN C CODE H														
	NEMA NOM.EFF.		96.2 %		NOM. P.F.		0.887		NEMA NOM.EFF.		95.1 %		NOM. P.F.		0.887				
NEMA MIN.EFF.		95.4 %		MAX. KVAR		45.3		NEMA MIN.EFF.		94.4 %		MAX. KVAR		48.2					
Designed specifically for use on crushing and pulverizing equipment and other equipment requiring extremely high starting torques and breakdown torques. CC041B Hernando, MS 38632																			

**APPLICATIONS:**

Special purpose use on crushing and pulverizing equipment and other industrial equipment requiring extremely high starting torques and breakdown torques.