

PE449T-300-6

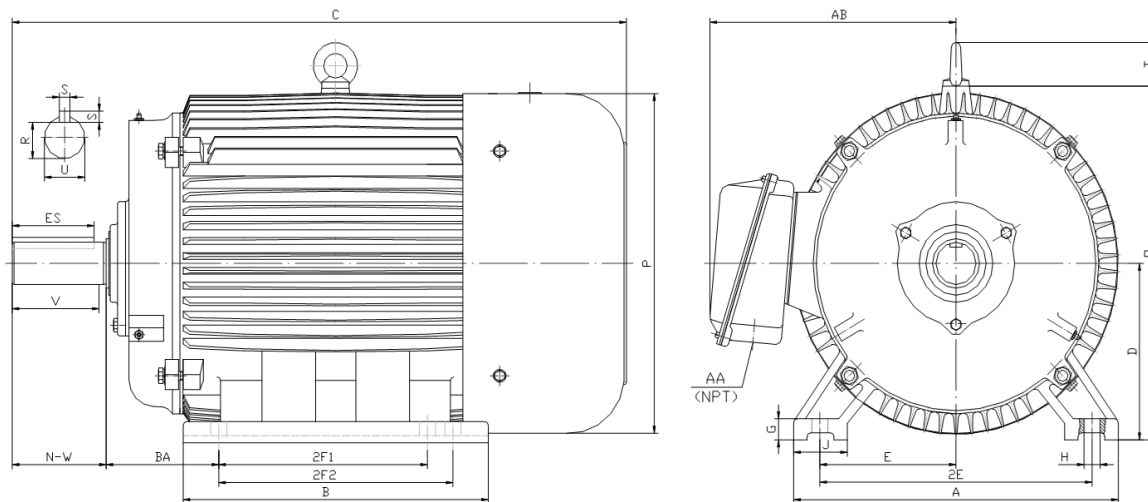
GENERAL PURPOSE ELECTRIC MOTOR

NEMA PREMIUM EFFICIENCY

TOTALLY ENCLOSED FAN COOLED

INVERTER DUTY 10:1 CT; 20:1 VT - NEMA MG1 PART 31

Factory Certified for T2B Class I, Division II, Groups A,B,C & D and Class II, Division II, Groups F & G



DIMENSIONS

| HP | RPM | Frame | MOUNTING | | | | | | | | | | | | | | |
|-----|------|-------|----------|-------|-------|-------|------|------|------|------|-------|-------|-------|-------|-------|------|------|
| | | | A | B | C | D | G | H | J | E | 2E | 2F1 | 2F2 | O | P | T | BA |
| 300 | 1200 | 449T | 21.70 | 31.40 | 52.80 | 11.00 | 1.35 | 0.81 | 3.35 | 9.00 | 18.00 | 20.00 | 25.00 | 23.00 | 23.40 | 3.00 | 7.50 |

| Shaft Extension, Key Set | | | | | | Conduit Box | | Bearings | | Mount |
|--------------------------|------|-------|-------|------|------|-------------|-------|----------|------|-------|
| U | V | R | S | ES | N-W | AA | AB | DE | ODE | |
| 3.375 | 8.25 | 2.880 | 0.875 | 6.91 | 8.50 | 3.00 | 19.90 | NU319 | 6318 | F1 |

BEARING LUBRICATION: The bearings come lubricated with Mobil Polyrex EM Polyurea Grease. It is recommended that you add some additional lubrication when the motor is installed.

Three options (brands) for suitable lubrication include, but are not limited to, the following:

- 1.) Mobil Polyrex EM
- 2.) Citco Polyurea MP
- 3.) Conoco Phillips Polytac EP





PE449T-300-6

GENERAL PURPOSE ELECTRIC MOTOR

NEMA PREMIUM EFFICIENCY

TOTALLY ENCLOSED FAN COOLED

INVERTER DUTY 10:1 CT; 20:1 VT - NEMA MG1 PART 31

Factory Certified for T2B Class I, Division II, Groups A,B,C & D and Class II, Division II, Groups F & G

PERFORMANCE DATA

| HP | RPM | Frame | Voltage | Frequency (Hz) | Full Load S.F. | Insulation Class | NEMA Design | Slip (%) | NEMA Code | Enclosure Type | IP Rating | Max. Ambient |
|-----|------|-------|---------|----------------|----------------|------------------|-------------|----------|-----------|----------------|-----------|--------------|
| 300 | 1185 | 449T | 460 | 60 | 1.15 | F | B | 1.3 | G | TEFC | 55 | 40° C |

| Amps (460V) | | Efficiency (%) | | | | Power Factor | | | Torque (ft-lb) | | | DE Bearing | ODE Bearing | Connection | Weight (lbs.) |
|-------------|------|----------------|------|------|------|--------------|-------|-------|----------------|-------|-------|------------|-------------|------------|---------------|
| FLA | LRA | 100% | 75% | 50% | Min. | 100% | 75% | 50% | FLT | LRT % | BDT % | | | | |
| 357.0 | 2200 | 95.8 | 95.6 | 95.0 | 95.0 | 0.820 | 0.790 | 0.710 | 1332.0 | 140 | 220 | NU319 | 6318 | 6 Lead Δ | 2684 |

NAME PLATE

| | | | | | | | | | | | | | | | | | | | | | |
|--|--|-----------|---------------------|--------|--|------------------|--|-----------------------|--|------------------------|--|------------------|-----------------------------------|--|--|--|--|--|---------|--|--|
| North American Electric, Inc. | | | | | | | | | | | | | CONNECTION DIAGRAMS (460V) | | | | | | | | |
| INVERTER DUTY 20:1 VT; 10:1 CT | | | | | | | | | | Across The Line | | | | | | | | | | | |
| CAT NO: PE449T-300-6 | | | FRAME 449T | | | PHASE 3 | | | | | | | | | | | | | | | |
| HZ 60 | | S.F. 1.15 | | HZ 50 | | S.F. 1.0 | | ENCL TEFC | | IP 55 | | | | | | | | | | | |
| HP 300 | | RPM 1185 | | HP 300 | | RPM 985 | | DUTY CONT | | DES B | | | | | | | | | | | |
| VOLTS 460 | | | VOLTS 380 | | | AMB 40° C | | INS F | | | | PWS Start | | | | | | | | | |
| FLA 357.0 | | | FLA 392 | | | DE BEARING NU319 | | | | | | | | | | | | | | | |
| CODE G | | P.F. 0.82 | | CODE F | | P.F. 0.85 | | ODE BEARING 6318 | | | | | | | | | | | | | |
| EFF 95.8 | | MIN 95.0 | | EFF 95 | | MIN 94.1 | | LUB: Mobil Polyrex EM | | | | PWS Run | | | | | | | | | |
| MOTOR WEIGHT 2684.0 LBS | | | CONNECTION 6 Lead Δ | | | SER NO | | | | | | | | | | | | | | | |
| General purpose use on industrial machinery installed in damp, dusty or dirty environments. Hernando, Mississippi | | | | | | | | | | | | | | | | | | | CC 082A | | |

APPLICATIONS:

General purpose use on pumps, fans, blowers, compressors, conveyors, material handling and other industrial machinery installed in damp, dusty or dirty environments.