

**PE449T-250-6-575V**

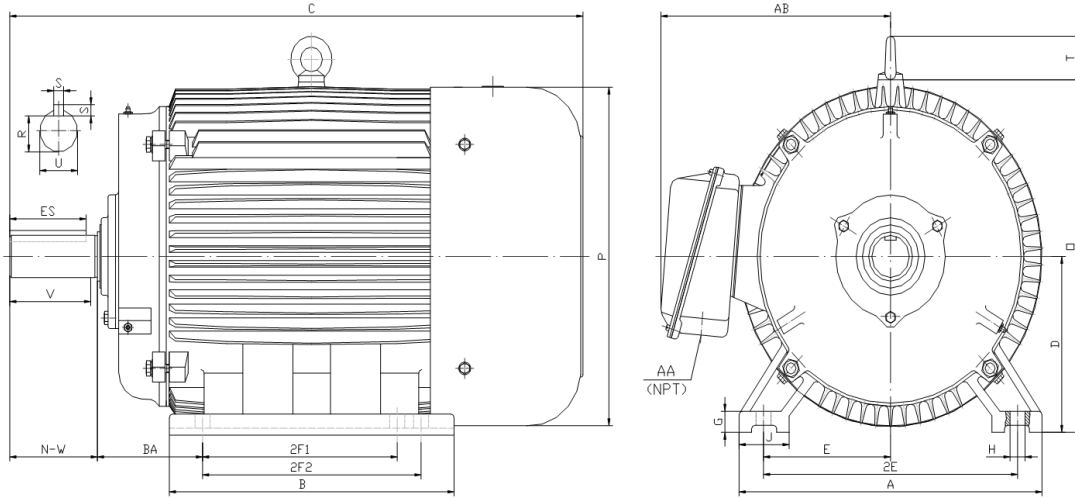
**GENERAL PURPOSE ELECTRIC MOTOR**

**NEMA PREMIUM EFFICIENCY**

**TOTALLY ENCLOSED FAN COOLED**

**INVERTER DUTY 10:1 CT; 20:1 VT - NEMA MG1 PART 31**

Factory Certified for T2B Class I, Division II, Groups A,B,C & D and Class II, Division II, Groups F & G



**DIMENSIONS**

HP	RPM	Frame	MOUNTING														
			A	B	C	D	G	H	J	E	2E	2F1	2F2	O	P	T	BA
250	1200	449T	21.70	31.40	52.80	11.00	1.35	0.81	3.35	9.00	18.00	20.00	25.00	23.00	23.40	3.00	7.50

Shaft Extension, Key Set						Conduit Box		Bearings		Mount
U	V	R	S	ES	N-W	AA	AB	DE	ODE	
3.38	8.25	2.88	0.88	6.91	8.50	3.00	19.90	NU319	6318	F1

**BEARING LUBRICATION:** The bearings come lubricated with Mobil Polyrex EM Polyurea Grease. It is recommended that you add some additional lubrication when the motor is installed.

Three options (brands) for suitable lubrication include, but are not limited to, the following:

- 1.) Mobil Polyrex EM
- 2.) Citco Polyurea MP
- 3.) Conoco Phillips Polytac EP





**PE449T-250-6-575V**

**GENERAL PURPOSE ELECTRIC MOTOR**

**NEMA PREMIUM EFFICIENCY**

**TOTALLY ENCLOSED FAN COOLED**

**INVERTER DUTY 10:1 CT; 20:1 VT - NEMA MG1 PART 31**

Factory Certified for T2B Class I, Division II, Groups A,B,C & D and Class II, Division II, Groups F & G

**PERFORMANCE DATA**

HP	RPM	Frame	Voltage	Frequency (Hz)	Full Load S.F.	Insulation Class	NEMA Design	Slip (%)	NEMA Code	Enclosure Type	IP Rating	Max. Ambient
250	1185	449T	575	60	1.15	F	B	1.3	G	TEFC	55	40° C

Amps (575V)		Efficiency (%)				Power Factor			Torque (ft-lb)			DE Bearing	ODE Bearing	Connection	Weight (lbs.)
FLA	LRA	100%	75%	50%	Min.	100%	75%	50%	FLT	LRT %	BDT %				
224.0	1460	95.8	95.6	95.0	95.0	0.820	0.790	0.710	#####	140	220	NU319	6318	6 Lead Δ	2323

**NAME PLATE**

									<b>CONNECTION DIAGRAM</b>  <b>575 V Delta</b> 								
<b>INVERTER DUTY 20:1 VT; 10:1 CT</b>																	
CAT NO:	PE449T-250-6-575V		HP	250	Hz	60	PHASE	3									
VOLTS	575		FLA	224.0		IP RATING	55										
RPM	1185		POWER FACTOR	0.82		DESIGN	B										
FRAME	449T		NEMA NOM EFF	95.8		CODE	G										
DRIVE END BEARING	NU319		NEMA MIN EFF	95.0		S.F.	1.15										
OPP DRIVE END BEARING	6318		MAX AMB	40° C		INS CLASS	F										
ENCL	TEFC		RATING	CONT	SER												
MOTOR WEIGHT	2323	LBS	CONNECTION	6 Lead Δ		LUB:	Mobil Polyrex EM										
General purpose use on industrial machinery installed in damp, dusty or dirty environments. Hernando, Mississippi															CC 082A		

**APPLICATIONS:**

General purpose use on pumps, fans, blowers, compressors, conveyors, material handling and other industrial machinery installed in damp, dusty or dirty environments.