

PE365T-75-4

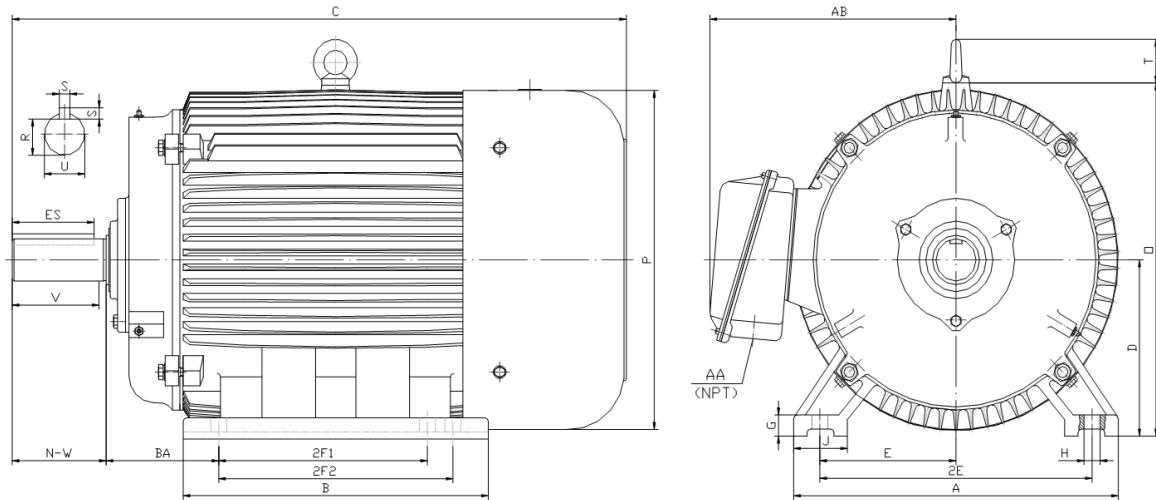
GENERAL PURPOSE ELECTRIC MOTOR

NEMA PREMIUM EFFICIENCY

TOTALLY ENCLOSED FAN COOLED

INVERTER DUTY 10:1 CT; 20:1 VT - NEMA MG1 PART 31

Factory Certified for T2B Class I, Division II, Groups A,B,C & D and Class II, Division II, Groups F & G



DIMENSIONS

HP	RPM	Frame	MOUNTING														
			A	B	C	D	G	H	J	E	2E	2F1	2F2	O	P	T	BA
75	1800	365T	17.10	15.40	33.50	9.00	1.10	0.66	2.95	7.00	14.00	11.25	12.25	18.50	18.40	2.60	5.88

Shaft Extension, Key Set						Conduit Box		Bearings		Mount
U	V	R	S	ES	N-W	AA	AB	DE	ODE	
2.375	5.62	2.021	0.625	4.28	5.88	3.00	15.00	6313	6313	F1

BEARING LUBRICATION: The bearings come lubricated with Mobil Polyrex EM Polyurea Grease. It is recommended that you add some additional lubrication when the motor is installed.

Three options (brands) for suitable lubrication include, but are not limited to, the following:

- 1.) Mobil Polyrex EM
- 2.) Citco Polyurea MP
- 3.) Conoco Phillips Polytac EP





PE365T-75-4

GENERAL PURPOSE ELECTRIC MOTOR

NEMA PREMIUM EFFICIENCY

TOTALLY ENCLOSED FAN COOLED

INVERTER DUTY 10:1 CT; 20:1 VT - NEMA MG1 PART 31

Factory Certified for T2B Class I, Division II, Groups A,B,C & D and Class II, Division II, Groups F & G

PERFORMANCE DATA

HP	RPM	Frame	Voltage	Frequency (Hz)	Full Load S.F.	Insulation Class	NEMA Design	Slip (%)	NEMA Code	Enclosure Type	IP Rating	Max. Ambient
75	1780	365T	208-230/460	60	1.15	F	B	1.1	G	TEFC	55	40° C

Amps (460V)		Efficiency (%)				Power Factor			Torque (ft-lb)			DE Bearing	ODE Bearing	Connection	Weight (lbs.)
FLA	LRA	100%	75%	50%	Min.	100%	75%	50%	FLT	LRT %	BDT %				
87.0	542	95.4	95.5	95.5	94.5	0.850	0.820	0.750	222.0	160	250	6313	6313	12 Lead 2Δ/Δ	823

NAME PLATE

North American Electric, Inc.													CONNECTION DIAGRAMS 208-230V 						
INVERTER DUTY 20:1 VT; 10:1 CT																			
CAT NO:		PE365T-75-4				FRAME		365T		PHASE		3		460V 					
HZ		60		S.F.		1.15		HZ		50		S.F.					1.0		
ENCL		TEFC		IP		55		HP		75		RPM		1480					
DUTY		CONT		DES		B		HP		75		RPM		1780					
VOLTS		208-230/460				VOLTS		190/380		AMB		40° C		INS		F			
FLA		193 - 174 / 87				FLA		210/105		DE BEARING		6313							
CODE		G		P.F.		0.85		CODE		F		P.F.		0.86		ODE BEARING		6313	
EFF		95.4		MIN		94.5		EFF		94		MIN		93.1		LUB:		Mobil Polyrex EM	
MOTOR WEIGHT		823		LBS		CONNECTION		12 Lead 2Δ/Δ		SER NO									
General purpose use on industrial machinery installed in damp, dusty or dirty environments. Hernando, Mississippi																CC 082A			

APPLICATIONS:

General purpose use on pumps, fans, blowers, compressors, conveyors, material handling and other industrial machinery installed in damp, dusty or dirty environments.