

## PE364T-40-6

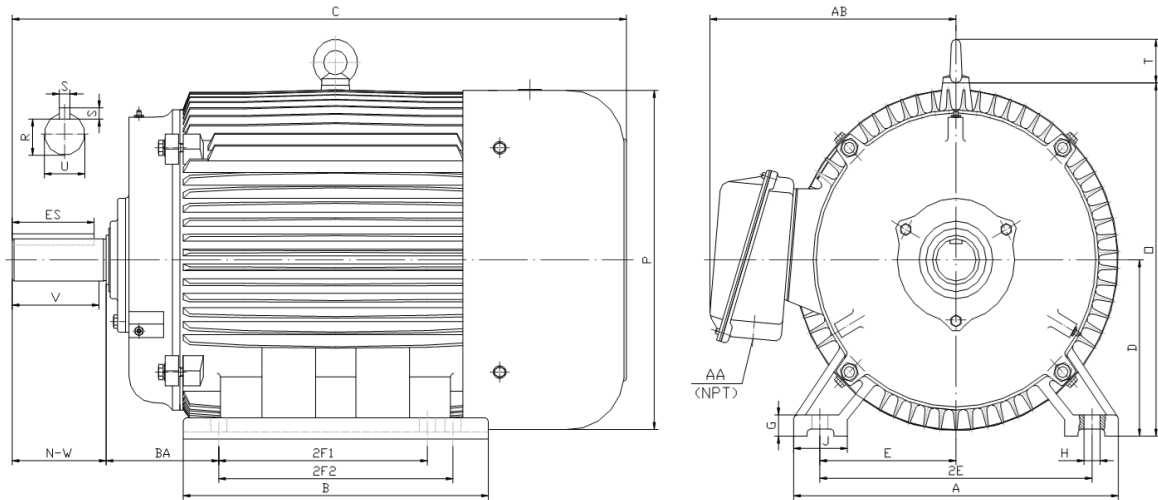
GENERAL PURPOSE ELECTRIC MOTOR

NEMA PREMIUM EFFICIENCY

TOTALLY ENCLOSED FAN COOLED

INVERTER DUTY 10:1 CT; 20:1 VT - NEMA MG1 PART 31

Factory Certified for T2B Class I, Division II, Groups A,B,C & D and Class II, Division II, Groups F & G



### DIMENSIONS

| HP | RPM  | Frame | MOUNTING |       |       |      |      |      |      |      |       |       |      |       |       |      |      |
|----|------|-------|----------|-------|-------|------|------|------|------|------|-------|-------|------|-------|-------|------|------|
|    |      |       | A        | B     | C     | D    | G    | H    | J    | E    | 2E    | 2F1   | 2F2  | O     | P     | T    | BA   |
| 40 | 1200 | 364T  | 17.10    | 15.40 | 32.50 | 9.00 | 1.10 | 0.66 | 2.95 | 7.00 | 14.00 | 11.25 | 0.00 | 18.50 | 18.40 | 2.60 | 5.88 |

| Shaft Extension, Key Set |      |       |       |      |      | Conduit Box |       | Bearings |      | Mount |
|--------------------------|------|-------|-------|------|------|-------------|-------|----------|------|-------|
| U                        | V    | R     | S     | ES   | N-W  | AA          | AB    | DE       | ODE  |       |
| 2.375                    | 5.62 | 2.021 | 0.625 | 4.28 | 5.88 | 3.00        | 15.00 | 6313     | 6313 | F1    |

**BEARING LUBRICATION:** The bearings come lubricated with Mobil Polyrex EM Polyurea Grease. It is recommended that you add some additional lubrication when the motor is installed.

Three options (brands) for suitable lubrication include, but are not limited to, the following:

- 1.) Mobil Polyrex EM
- 2.) Citco Polyurea MP
- 3.) Conoco Phillips Polytac EP





## PE364T-40-6

**GENERAL PURPOSE ELECTRIC MOTOR**

**NEMA PREMIUM EFFICIENCY**

**TOTALLY ENCLOSED FAN COOLED**

**INVERTER DUTY 10:1 CT; 20:1 VT - NEMA MG1 PART 31**

Factory Certified for T2B Class I, Division II, Groups A,B,C & D and Class II, Division II, Groups F & G

### PERFORMANCE DATA

| HP | RPM  | Frame | Voltage     | Frequency (Hz) | Full Load S.F. | Insulation Class | NEMA Design | Slip (%) | NEMA Code | Enclosure Type | IP Rating | Max. Ambient |
|----|------|-------|-------------|----------------|----------------|------------------|-------------|----------|-----------|----------------|-----------|--------------|
| 40 | 1188 | 364T  | 208-230/460 | 60             | 1.15           | F                | B           | 1.0      | G         | TEFC           | 55        | 40° C        |

| Amps (460V) |     | Efficiency (%) |      |      |      | Power Factor |       |       | Torque (ft-lb) |       |       | DE Bearing | ODE Bearing | Connection   | Weight (lbs.) |
|-------------|-----|----------------|------|------|------|--------------|-------|-------|----------------|-------|-------|------------|-------------|--------------|---------------|
| FLA         | LRA | 100%           | 75%  | 50%  | Min. | 100%         | 75%   | 50%   | FLT            | LRT % | BDT % | 6313       | 6313        | 12 Lead 2Δ/Δ | 724           |
| 50.0        | 290 | 94.1           | 94.1 | 93.6 | 93.0 | 0.780        | 0.750 | 0.660 | 178.1          | 155   | 250   |            |             |              |               |

### NAME PLATE

|  |            |          |                         |                       |       |           |  |  |  |   |  |  |
|--|------------|----------|-------------------------|-----------------------|-------|-----------|--|--|--|---|--|--|
|  |            |          |                         |                       |       |           |  |  |  | <b>CONNECTION DIAGRAMS</b><br><b>208-230V</b><br> |  |  |
| <b>INVERTER DUTY 20:1 VT; 10:1 CT</b>  |            |          |                         |                       |       |           |  |  |  |   |  |  |
| CAT NO: PE364T-40-6  |            |          | FRAME 364T              |                       |       | PHASE 3   |  |  |  | <b>460V</b><br>                                   |  |  |
| HZ 60  | S.F. 1.15  | HZ 50    | S.F. 1.0                | ENCL TEFC             | IP 55 |           |  |  |  |   |  |  |
| HP 40  | RPM 1188   | HP 40    | RPM 985                 | DUTY CONT             | DES B |           |  |  |  |   |  |  |
| VOLTS 208-230/460  |            |          | VOLTS 190/380           |                       |       | AMB 40° C |  |  |  | INS F   |  |  |
| FLA 110 - 100 / 50   | FLA 122/61 |          |                         | DE BEARING 6313       |       |           |  |  |  |   |  |  |
| CODE G   | P.F. 0.78  | CODE F   | P.F. 0.80               | ODE BEARING 6313      |       |           |  |  |  |   |  |  |
| EFF 94.1   | MIN 93.0   | EFF 92.4 | MIN 91.3                | LUB: Mobil Polyrex EM |       |           |  |  |  |   |  |  |
| MOTOR WEIGHT 724 LBS   |            |          | CONNECTION 12 Lead 2Δ/Δ |                       |       | SER NO    |  |  |  |   |  |  |
| General purpose use on industrial machinery installed in damp, dusty or dirty environments.<br>Hernando, Mississippi |            |          |                         |                       |       |           |  |  |  | CC 082A   |  |  |

### APPLICATIONS:

General purpose use on pumps, fans, blowers, compressors, conveyors, material handling and other industrial machinery installed in damp, dusty or dirty environments.