

**PE284T-15-6-575V**

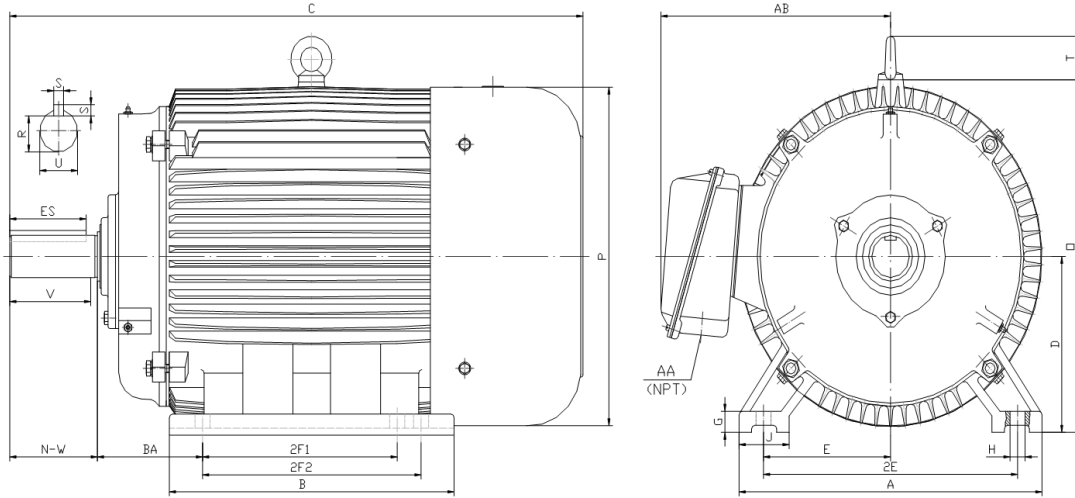
**GENERAL PURPOSE ELECTRIC MOTOR**

**NEMA PREMIUM EFFICIENCY**

**TOTALLY ENCLOSED FAN COOLED**

**INVERTER DUTY 10:1 CT; 20:1 VT - NEMA MG1 PART 31**

Factory Certified for T2B Class I, Division II, Groups A,B,C & D and Class II, Division II, Groups F & G



**DIMENSIONS**

HP	RPM	Frame	MOUNTING														
			A	B	C	D	G	H	J	E	2E	2F1	2F2	O	P	T	BA
15	1200	284T	14.00	13.20	26.60	7.00	0.85	0.53	2.75	5.50	11.00	9.50	0.00	14.50	14.00	2.20	4.75

Shaft Extension, Key Set						Conduit Box		Bearings		Mount
U	V	R	S	ES	N-W	AA	AB	DE	ODE	
1.88	4.38	1.59	0.50	3.28	4.62	1.50	11.30	6311	6311	F1

**BEARING LUBRICATION:** The bearings come lubricated with Mobil Polyrex EM Polyurea Grease. It is recommended that you add some additional lubrication when the motor is installed.

Three options (brands) for suitable lubrication include, but are not limited to, the following:

- 1.) Mobil Polyrex EM
- 2.) Citco Polyurea MP
- 3.) Conoco Phillips Polytac EP





**PE284T-15-6-575V**

**GENERAL PURPOSE ELECTRIC MOTOR**

**NEMA PREMIUM EFFICIENCY**

**TOTALLY ENCLOSED FAN COOLED**

**INVERTER DUTY 10:1 CT; 20:1 VT - NEMA MG1 PART 31**

Factory Certified for T2B Class I, Division II, Groups A,B,C & D and Class II, Division II, Groups F & G

**PERFORMANCE DATA**

HP	RPM	Frame	Voltage	Frequency (Hz)	Full Load S.F.	Insulation Class	NEMA Design	Slip (%)	NEMA Code	Enclosure Type	IP Rating	Max. Ambient
15	1180	284T	575	60	1.15	F	B	1.7	G	TEFC	55	40° C

Amps (575V)		Efficiency (%)				Power Factor			Torque (ft-lb)			DE Bearing	ODE Bearing	Connection	Weight (lbs.)
FLA	LRA	100%	75%	50%	Min.	100%	75%	50%	FLT	LRT %	BDT %				
15.2	93	91.7	91.7	91.4	90.2	0.770	0.720	0.600	67.1	160	240	6311	6311	6 Lead Δ	363

**NAME PLATE**

									<b>CONNECTION DIAGRAM</b>  <b>575 V Delta</b> 									
<b>INVERTER DUTY 20:1 VT; 10:1 CT</b>																		
CAT NO:		PE284T-15-6-575V		HP	15	Hz	60	PHASE	3									
VOLTS		575		FLA	15.2		IP RATING		55									
RPM		1180		POWER FACTOR		0.77		DESIGN		B								
FRAME		284T		NEMA NOM EFF		91.7		CODE		G								
DRIVE END BEARING		6311		NEMA MIN EFF		90.2		S.F.		1.15								
OPP DRIVE END BEARING		6311		MAX AMB		40° C		INS CLASS		F								
ENCL		TEFC		RATING	CONT		SER											
MOTOR WEIGHT		363 LBS		CONNECTION		6 Lead Δ		LUB:		Mobil Polyrex EM								
General purpose use on industrial machinery installed in damp, dusty or dirty environments. Hernando, Mississippi												CC 082A						

**APPLICATIONS:**

General purpose use on pumps, fans, blowers, compressors, conveyors, material handling and other industrial machinery installed in damp, dusty or dirty environments.