

PE447TS-200-4

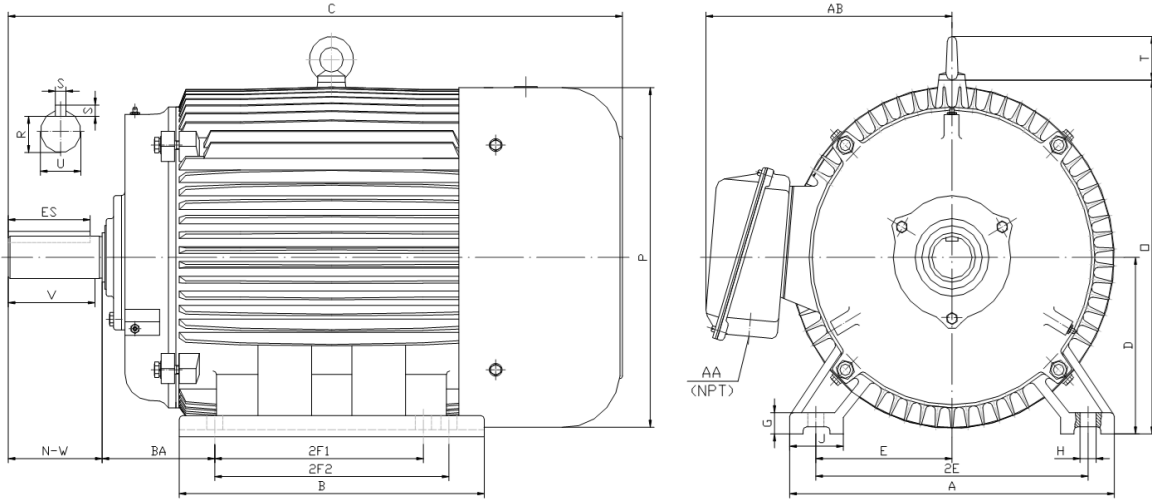
GENERAL PURPOSE ELECTRIC MOTOR

NEMA PREMIUM EFFICIENCY

TOTALLY ENCLOSED FAN COOLED

INVERTER DUTY 10:1 CT; 20:1 VT - NEMA MG1 PART 31

Factory Certified for T2B Class I, Division II, Groups A,B,C & D and Class II, Division II, Groups F & G



DIMENSIONS

HP	RPM	Frame	MOUNTING														
			A	B	C	D	G	H	J	E	2E	2F1	2F2	O	P	T	BA
200	1800	447TS	21.70	26.40	44.10	11.00	1.35	0.81	3.35	9.00	18.00	16.50	20.00	23.00	23.40	3.00	7.50

Shaft Extension, Key Set						Conduit Box		Bearings		Mount
U	V	R	S	ES	N-W	AA	AB	DE	ODE	
2.375	4.50	2.021	0.625	3.03	4.75	3.00	19.90	6319	6318	F1

BEARING LUBRICATION: The bearings come lubricated with Mobil Polyrex EM Polyurea Grease. It is recommended that you add some additional lubrication when the motor is installed.

Three options (brands) for suitable lubrication include, but are not limited to, the following:

- 1.) Mobil Polyrex EM
- 2.) Citco Polyurea MP
- 3.) Conoco Phillips Polytac EP





PE447TS-200-4

GENERAL PURPOSE ELECTRIC MOTOR

NEMA PREMIUM EFFICIENCY

TOTALLY ENCLOSED FAN COOLED

INVERTER DUTY 10:1 CT; 20:1 VT - NEMA MG1 PART 31

Factory Certified for T2B Class I, Division II, Groups A,B,C & D and Class II, Division II, Groups F & G

PERFORMANCE DATA

HP	RPM	Frame	Voltage	Frequency (Hz)	Full Load S.F.	Insulation Class	NEMA Design	Slip (%)	NEMA Code	Enclosure Type	IP Rating	Max. Ambient
200	1790	447TS	460	60	1.15	F	B	0.6	G	TEFC	55	40° C

Amps (460V)		Efficiency (%)				Power Factor			Torque (ft-lb)			DE Bearing	ODE Bearing	Connection	Weight (lbs.)
FLA	LRA	100%	75%	50%	Min.	100%	75%	50%	FLT	LRT %	BDT %				
220.0	1450	96.2	96.0	95.3	95.4	0.870	0.860	0.800	590.3	145	240	6319	6318	6 Lead Δ	1866

NAME PLATE

North American Electric, Inc.													CONNECTION DIAGRAMS (460V)								
INVERTER DUTY 20:1 VT; 10:1 CT										Across The Line											
CAT NO: PE447TS-200-4				FRAME 447TS				PHASE 3													
HZ 60		S.F. 1.15		HZ 50		S.F. 1.0		ENCL TEFC		IP 55											
HP 200		RPM 1790		HP 200		RPM 1488		DUTY CONT		DES B											
VOLTS 460			VOLTS 380			AMB 40° C		INS F					PWS Start								
FLA 220.0			FLA 270			DE BEARING 6319															
CODE G		P.F. 0.87		CODE F		P.F. 0.88		ODE BEARING 6318													
EFF 96.2		MIN 95.4		EFF 95		MIN 94.2		LUB: Mobil Polyrex EM													
MOTOR WEIGHT 1866.0 LBS			CONNECTION 6 Lead Δ				SER NO						PWS Run								
General purpose use on industrial machinery installed in damp, dusty or dirty environments. Hernando, Mississippi																			CC 082A		

APPLICATIONS:

General purpose use on pumps, fans, blowers, compressors, conveyors, material handling and other industrial machinery installed in damp, dusty or dirty environments.