

PE447T-200-4-IN

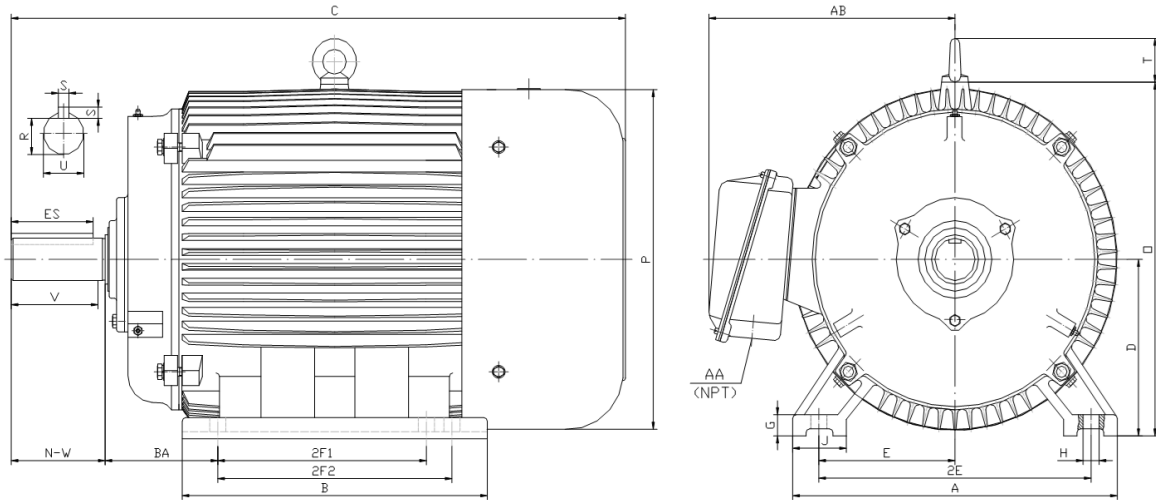
GENERAL PURPOSE ELECTRIC MOTOR

NEMA PREMIUM EFFICIENCY

TOTALLY ENCLOSED FAN COOLED

INVERTER DUTY 10:1 CT; 20:1 VT - NEMA MG1 PART 31

Factory Certified for T2B Class I, Division II, Groups A,B,C & D and Class II, Division II, Groups F & G



DIMENSIONS

HP	RPM	Frame	MOUNTING														
			A	B	C	D	G	H	J	E	2E	2F1	2F2	O	P	T	BA
200	1800	447T	21.70	26.40	47.80	11.00	1.35	0.81	3.35	9.00	18.00	16.50	20.00	23.00	23.40	3.00	7.50

Shaft Extension, Key Set						Conduit Box		Bearings		Mount
U	V	R	S	ES	N-W	AA	AB	DE	ODE	
3.375	8.25	2.880	0.875	6.91	8.50	3.00	19.90	NU319	6318/C3 VL0241	

BEARING LUBRICATION: The bearings come lubricated with Mobil Polyrex EM Polyurea Grease. It is recommended that you add some additional lubrication when the motor is installed.

Three options (brands) for suitable lubrication include, but are not limited to, the following:

- 1.) Mobil Polyrex EM
- 2.) Citco Polyurea MP
- 3.) Conoco Phillips Polytac EP





PE447T-200-4-IN

GENERAL PURPOSE ELECTRIC MOTOR

NEMA PREMIUM EFFICIENCY

TOTALLY ENCLOSED FAN COOLED

INVERTER DUTY 10:1 CT; 20:1 VT - NEMA MG1 PART 31

Factory Certified for T2B Class I, Division II, Groups A,B,C & D and Class II, Division II, Groups F & G

PERFORMANCE DATA

HP	RPM	Frame	Voltage	Frequency (Hz)	Full Load S.F.	Insulation Class	NEMA Design	Slip (%)	NEMA Code	Enclosure Type	IP Rating	Max. Ambient
200	1790	447T	460	60	1.15	F	B	0.6	G	TEFC	55	40° C

Amps (460V)		Efficiency (%)				Power Factor			Torque (ft-lb)			DE Bearing	ODE Bearing	Connection	Weight (lbs.)
FLA	LRA	100%	75%	50%	Min.	100%	75%	50%	FLT	LRT %	BDT %				
220.0	1450	96.2	96.0	95.3	95.4	0.870	0.860	0.800	590.3	145	240	NU319	6318/C3VL0241	6 Lead Δ	1890

NAME PLATE

North American Electric, Inc.													CONNECTION DIAGRAMS (460V)				
INVERTER DUTY 20:1 VT; 10:1 CT										Across The Line 							
CAT NO: PE447T-200-4-IN			FRAME 447T			PHASE 3											
HZ 60		S.F. 1.15		HZ 50		S.F. 1.0		ENCL TEFC		IP 55							
HP 200		RPM 1790		HP 200		RPM 1488		DUTY CONT		DES B							
VOLTS 460			VOLTS 380			AMB 40° C		INS F				PWS Start 					
FLA 220.0		FLA 270			DE BEARING NU319												
CODE G		P.F. 0.87		CODE F		P.F. 0.88		ODE BEARING 6318/C3VL0241									
EFF 96.2		MIN 95.4		EFF 95		MIN 94.2		LUB: Mobil Polyrex EM				PWS Run 					
MOTOR WEIGHT 1890.0 LBS		CONNECTION 6 Lead Δ			SER NO												
General purpose use on industrial machinery installed in damp, dusty or dirty environments. Hernando, Mississippi																CC 082A	

APPLICATIONS:

General purpose use on pumps, fans, blowers, compressors, conveyors, material handling and other industrial machinery installed in damp, dusty or dirty environments.