

PE447TS-200-2

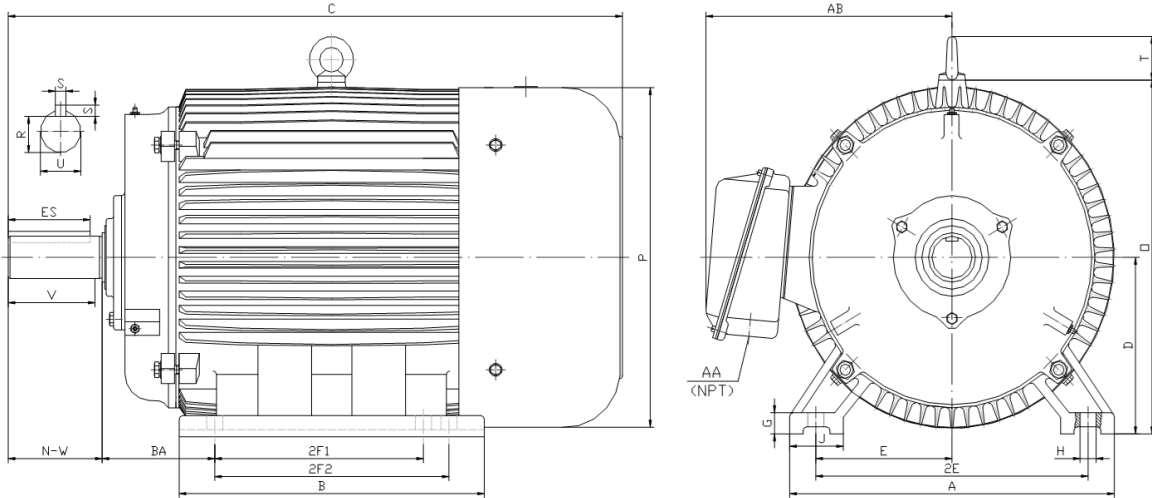
GENERAL PURPOSE ELECTRIC MOTOR

NEMA PREMIUM EFFICIENCY

TOTALLY ENCLOSED FAN COOLED

INVERTER DUTY 10:1 CT; 20:1 VT - NEMA MG1 PART 31

Factory Certified for T2B Class I, Division II, Groups A,B,C & D and Class II, Division II, Groups F & G



DIMENSIONS

HP	RPM	Frame	MOUNTING														
			A	B	C	D	G	H	J	E	2E	2F1	2F2	O	P	T	BA
200	3600	447TS	21.70	26.40	44.10	11.00	1.35	0.81	3.35	9.00	18.00	16.50	20.00	23.00	23.40	3.00	7.50

Shaft Extension, Key Set						Conduit Box		Bearings		Mount
U	V	R	S	ES	N-W	AA	AB	DE	ODE	
2.375	4.50	2.021	0.625	3.03	4.75	3.00	19.90	6314	6314	F1

BEARING LUBRICATION: The bearings come lubricated with Mobil Polyrex EM Polyurea Grease. It is recommended that you add some additional lubrication when the motor is installed.

Three options (brands) for suitable lubrication include, but are not limited to, the following:

- 1.) Mobil Polyrex EM
- 2.) Citco Polyurea MP
- 3.) Conoco Phillips Polytac EP





PE447TS-200-2

GENERAL PURPOSE ELECTRIC MOTOR

NEMA PREMIUM EFFICIENCY

TOTALLY ENCLOSED FAN COOLED

INVERTER DUTY 10:1 CT; 20:1 VT - NEMA MG1 PART 31

Factory Certified for T2B Class I, Division II, Groups A,B,C & D and Class II, Division II, Groups F & G

PERFORMANCE DATA

HP	RPM	Frame	Voltage	Frequency (Hz)	Full Load S.F.	Insulation Class	NEMA Design	Slip (%)	NEMA Code	Enclosure Type	IP Rating	Max. Ambient
200	3580	447TS	460	60	1.15	F	B	0.6	G	TEFC	55	40° C

Amps (460V)		Efficiency (%)				Power Factor			Torque (ft-lb)			DE Bearing	ODE Bearing	Connection	Weight (lbs.)
FLA	LRA	100%	75%	50%	Min.	100%	75%	50%	FLT	LRT %	BDT %				
222.0	1450	95.4	94.8	94.3	94.5	0.920	0.900	0.860	293.9	130	240	6314	6314	6 Lead Δ	1761

NAME PLATE

North American Electric, Inc.													CONNECTION DIAGRAMS (460V)				
INVERTER DUTY 20:1 VT; 10:1 CT										Across The Line							
CAT NO: PE447TS-200-2			FRAME 447TS			PHASE 3											
HZ 60		S.F. 1.15		HZ 50		S.F. 1.0		ENCL TEFC		IP 55							
HP 200		RPM 3580		HP 200		RPM 2980		DUTY CONT		DES B							
VOLTS 460			VOLTS 380			AMB 40° C		INS F				PWS Start					
FLA 222.0			FLA 262			DE BEARING 6314											
CODE G		P.F. 0.92		CODE F		P.F. 0.93		ODE BEARING 6314									
EFF 95.4		MIN 94.5		EFF 93.9		MIN 93		LUB: Mobil Polyrex EM				PWS Run					
MOTOR WEIGHT 1761.0 LBS			CONNECTION 6 Lead Δ			SER NO											
General purpose use on industrial machinery installed in damp, dusty or dirty environments. Hernando, Mississippi																CC 082A	

APPLICATIONS:

General purpose use on pumps, fans, blowers, compressors, conveyors, material handling and other industrial machinery installed in damp, dusty or dirty environments.