

PE447T-150-6-575V

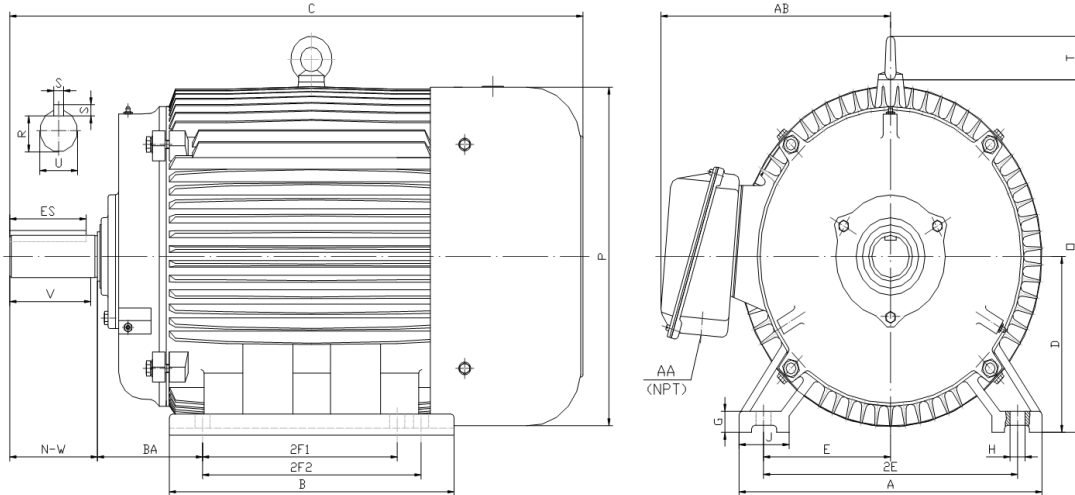
GENERAL PURPOSE ELECTRIC MOTOR

NEMA PREMIUM EFFICIENCY

TOTALLY ENCLOSED FAN COOLED

INVERTER DUTY 10:1 CT; 20:1 VT - NEMA MG1 PART 31

Factory Certified for T2B Class I, Division II, Groups A,B,C & D and Class II, Division II, Groups F & G



DIMENSIONS

HP	RPM	Frame	MOUNTING														
			A	B	C	D	G	H	J	E	2E	2F1	2F2	O	P	T	BA
150	1200	447T	21.70	26.40	47.80	11.00	1.35	0.81	3.35	9.00	18.00	16.50	20.00	23.00	23.40	3.00	7.50

Shaft Extension, Key Set						Conduit Box		Bearings		Mount
U	V	R	S	ES	N-W	AA	AB	DE	ODE	
3.38	8.25	2.88	0.88	6.91	8.50	3.00	19.90	NU319	6318	F1

BEARING LUBRICATION: The bearings come lubricated with Mobil Polyrex EM Polyurea Grease. It is recommended that you add some additional lubrication when the motor is installed.

Three options (brands) for suitable lubrication include, but are not limited to, the following:

- 1.) Mobil Polyrex EM
- 2.) Citco Polyurea MP
- 3.) Conoco Phillips Polytac EP





PE447T-150-6-575V

GENERAL PURPOSE ELECTRIC MOTOR

NEMA PREMIUM EFFICIENCY

TOTALLY ENCLOSED FAN COOLED

INVERTER DUTY 10:1 CT; 20:1 VT - NEMA MG1 PART 31

Factory Certified for T2B Class I, Division II, Groups A,B,C & D and Class II, Division II, Groups F & G

PERFORMANCE DATA

HP	RPM	Frame	Voltage	Frequency (Hz)	Full Load S.F.	Insulation Class	NEMA Design	Slip (%)	NEMA Code	Enclosure Type	IP Rating	Max. Ambient
150	1188	447T	575	60	1.15	F	B	1.0	G	TEFC	55	40° C

Amps (575V)		Efficiency (%)				Power Factor			Torque (ft-lb)			DE Bearing	ODE Bearing	Connection	Weight (lbs.)
FLA	LRA	100%	75%	50%	Min.	100%	75%	50%	FLT	LRT %	BDT %				
138.4	868	95.8	95.1	94.5	95.0	0.820	0.790	0.710	664.5	140	250	NU319	6318	6 Lead Δ	1800

NAME PLATE

										CONNECTION DIAGRAM 575 V Delta 					
INVERTER DUTY 20:1 VT; 10:1 CT															
CAT NO:		PE447T-150-6-575V			HP	150	Hz	60	PHASE	3					
VOLTS		575			FLA	138.4		IP RATING	55						
RPM	1188	POWER FACTOR			0.82		DESIGN	B							
FRAME	447T	NEMA NOM EFF			95.8		CODE	G							
DRIVE END BEARING	NU319	NEMA MIN EFF			95.0		S.F.	1.15							
OPP DRIVE END BEARING	6318	MAX AMB			40° C		INS CLASS	F							
ENCL	TEFC	RATING	CONT	SER											
MOTOR WEIGHT	1800 LBS	CONNECTION			6 Lead Δ		LUB:	Mobil Polyrex EM							
General purpose use on industrial machinery installed in damp, dusty or dirty environments. ISO9001 CERTIFIED CE CSA US CC 082A Hernando, Mississippi															

APPLICATIONS:

General purpose use on pumps, fans, blowers, compressors, conveyors, material handling and other industrial machinery installed in damp, dusty or dirty environments.