

PE405T-100-4-575V

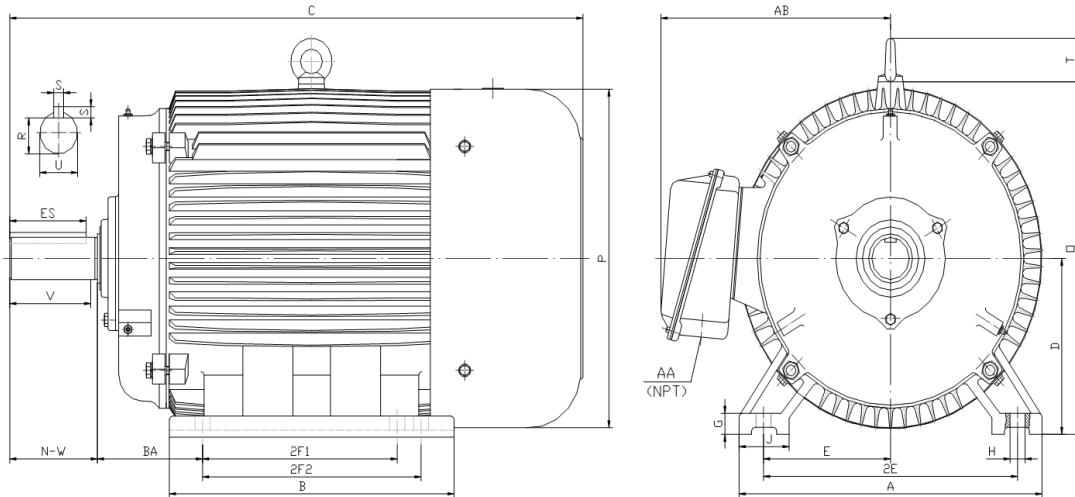
GENERAL PURPOSE ELECTRIC MOTOR

NEMA PREMIUM EFFICIENCY

TOTALLY ENCLOSED FAN COOLED

INVERTER DUTY 10:1 CT; 20:1 VT - NEMA MG1 PART 31

Factory Certified for T2B Class I, Division II, Groups A,B,C & D and Class II, Division II, Groups F & G



DIMENSIONS

| HP | RPM | Frame | MOUNTING | | | | | | | | | | | | | | |
|-----|------|-------|----------|-------|-------|-------|------|------|------|------|-------|-------|-------|-------|-------|------|------|
| | | | A | B | C | D | G | H | J | E | 2E | 2F1 | 2F2 | O | P | T | BA |
| 100 | 1800 | 405T | 19.30 | 17.90 | 38.00 | 10.00 | 1.25 | 0.81 | 3.15 | 8.00 | 16.00 | 12.25 | 13.75 | 21.10 | 21.60 | 2.60 | 6.62 |

| Shaft Extension, Key Set | | | | | | Conduit Box | | Bearings | | Mount |
|--------------------------|------|------|------|------|------|-------------|-------|----------|------|-------|
| U | V | R | S | ES | N-W | AA | AB | DE | ODE | |
| 2.88 | 7.00 | 2.45 | 0.75 | 5.65 | 7.25 | 3.00 | 16.60 | NU318 | 6314 | F1 |

BEARING LUBRICATION: The bearings come lubricated with Mobil Polyrex EM Polyurea Grease. It is recommended that you add some additional lubrication when the motor is installed.

Three options (brands) for suitable lubrication include, but are not limited to, the following:

- 1.) Mobil Polyrex EM
- 2.) Citco Polyurea MP
- 3.) Conoco Phillips Polytac EP





PE405T-100-4-575V

GENERAL PURPOSE ELECTRIC MOTOR

NEMA PREMIUM EFFICIENCY

TOTALLY ENCLOSED FAN COOLED

INVERTER DUTY 10:1 CT; 20:1 VT - NEMA MG1 PART 31

Factory Certified for T2B Class I, Division II, Groups A,B,C & D and Class II, Division II, Groups F & G

PERFORMANCE DATA

| HP | RPM | Frame | Voltage | Frequency (Hz) | Full Load S.F. | Insulation Class | NEMA Design | Slip (%) | NEMA Code | Enclosure Type | IP Rating | Max. Ambient |
|-----|------|-------|---------|----------------|----------------|------------------|-------------|----------|-----------|----------------|-----------|--------------|
| 100 | 1790 | 405T | 575 | 60 | 1.15 | F | B | 0.6 | G | TEFC | 55 | 40° C |

| Amps (575V) | | Efficiency (%) | | | | Power Factor | | | Torque (ft-lb) | | | DE Bearing | ODE Bearing | Connection | Weight (lbs.) |
|-------------|-----|----------------|------|------|------|--------------|-------|-------|----------------|-------|-------|------------|-------------|------------|---------------|
| FLA | LRA | 100% | 75% | 50% | Min. | 100% | 75% | 50% | FLT | LRT % | BDT % | | | | |
| 89.6 | 580 | 95.4 | 95.4 | 95.2 | 94.5 | 0.870 | 0.840 | 0.770 | 295.2 | 155 | 240 | NU318 | 6314 | 6 Lead Δ | 1058 |

NAME PLATE

| | | | | | | | | | | | | |
|--|-------|-------------------|--------------|------|----------|-----|-----------|-------|---|--|--|---------|
| | | | | | | | | | CONNECTION DIAGRAM 575 V Delta | | | |
| INVERTER DUTY 20:1 VT; 10:1 CT | | | | | | | | | | | | |
| CAT NO: | | PE405T-100-4-575V | | HP | 100 | Hz | 60 | PHASE | 3 | | | |
| VOLTS | | 575 | | FLA | 89.6 | | IP RATING | | 55 | | | |
| RPM | 1790 | | POWER FACTOR | | 0.87 | | DESIGN | | B | | | |
| FRAME | 405T | | NEMA NOM EFF | | 95.4 | | CODE | | G | | | |
| DRIVE END BEARING | NU318 | | NEMA MIN EFF | | 94.5 | | S.F. | | 1.15 | | | |
| OPP DRIVE END BEARING | 6314 | | MAX AMB | | 40° C | | INS CLASS | | F | | | |
| ENCL | TEFC | | RATING | CONT | | SER | | | | | | |
| MOTOR WEIGHT | 1058 | LBS | CONNECTION | | 6 Lead Δ | | LUB: | | Mobil Polyrex EM | | | |
| General purpose use on industrial machinery installed in damp, dusty or dirty environments. Hernando, Mississippi | | | | | | | | | | | | CC 082A |

APPLICATIONS:

General purpose use on pumps, fans, blowers, compressors, conveyors, material handling and other industrial machinery installed in damp, dusty or dirty environments.