

PE405TS-100-2

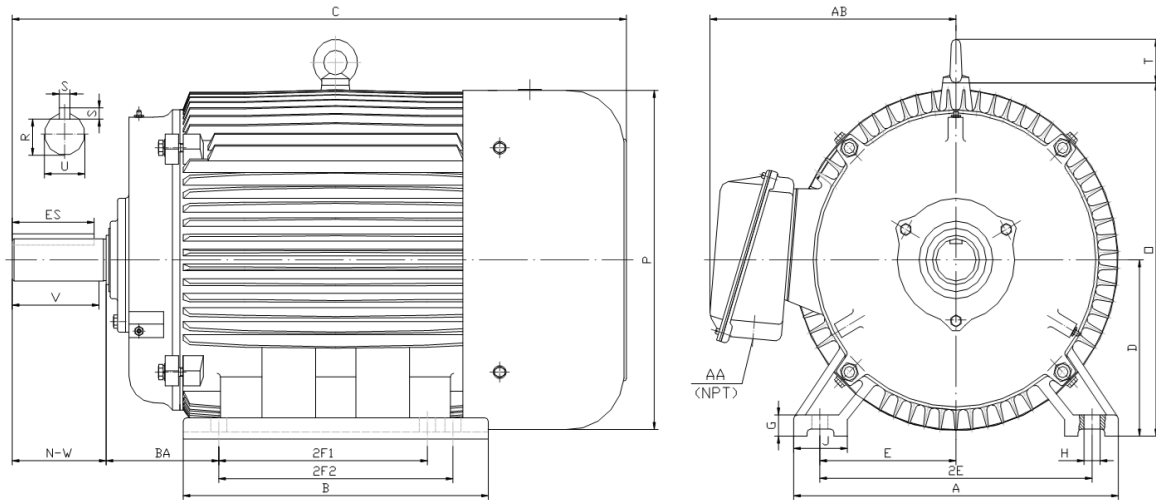
GENERAL PURPOSE ELECTRIC MOTOR

NEMA PREMIUM EFFICIENCY

TOTALLY ENCLOSED FAN COOLED

INVERTER DUTY 10:1 CT; 20:1 VT - NEMA MG1 PART 31

Factory Certified for T2B Class I, Division II, Groups A,B,C & D and Class II, Division II, Groups F & G



DIMENSIONS

HP	RPM	Frame	MOUNTING														
			A	B	C	D	G	H	J	E	2E	2F1	2F2	O	P	T	BA
100	3600	405TS	19.30	17.90	35.00	10.00	1.18	0.81	3.15	8.00	16.00	12.25	13.75	19.80	19.10	2.60	6.62

Shaft Extension, Key Set						Conduit Box		Bearings		Mount
U	V	R	S	ES	N-W	AA	AB	DE	ODE	
2.125	4.00	1.845	0.500	2.78	4.25	3.00	15.60	6314	6314	F1

BEARING LUBRICATION: The bearings come lubricated with Mobil Polyrex EM Polyurea Grease. It is recommended that you add some additional lubrication when the motor is installed.

Three options (brands) for suitable lubrication include, but are not limited to, the following:

- 1.) Mobil Polyrex EM
- 2.) Citco Polyurea MP
- 3.) Conoco Phillips Polytac EP





PE405TS-100-2

GENERAL PURPOSE ELECTRIC MOTOR

NEMA PREMIUM EFFICIENCY

TOTALLY ENCLOSED FAN COOLED

INVERTER DUTY 10:1 CT; 20:1 VT - NEMA MG1 PART 31

Factory Certified for T2B Class I, Division II, Groups A,B,C & D and Class II, Division II, Groups F & G

PERFORMANCE DATA

HP	RPM	Frame	Voltage	Frequency (Hz)	Full Load S.F.	Insulation Class	NEMA Design	Slip (%)	NEMA Code	Enclosure Type	IP Rating	Max. Ambient
100	3570	405TS	208-230/460	60	1.15	F	B	0.8	G	TEFC	55	40° C

Amps (460V)		Efficiency (%)				Power Factor			Torque (ft-lb)			DE Bearing	ODE Bearing	Connection	Weight (lbs.)
FLA	LRA	100%	75%	50%	Min.	100%	75%	50%	FLT	LRT %	BDT %				
112.0	725	94.1	93.5	93.0	93.0	0.900	0.880	0.820	147.2	130	245	6314	6314	12 Lead 2Δ/Δ	1107

NAME PLATE

													CONNECTION DIAGRAMS 208-230V 													
INVERTER DUTY 20:1 VT; 10:1 CT																										
CAT NO:		PE405TS-100-2				FRAME		405TS		PHASE		3		460V 												
HZ		60		S.F.		1.15		HZ		50		S.F.					1.0		ENCL		TEFC		IP		55	
HP		100		RPM		3570		HP		100		RPM					2960		DUTY		CONT		DES		B	
VOLTS		208-230/460				VOLTS		190/380		AMB		40° C					INS		F							
FLA		248 - 224 / 112				FLA		272/136				DE BEARING					6314									
CODE		G		P.F.		0.90		CODE		F		P.F.					0.91		ODE BEARING				6314			
EFF		94.1		MIN		93.0		EFF		92.6		MIN					91.5		LUB: Mobil Polyrex EM							
MOTOR WEIGHT		1107		LBS		CONNECTION				12 Lead 2Δ/Δ							SER NO									
General purpose use on industrial machinery installed in damp, dusty or dirty environments. Hernando, Mississippi																			CC 082A							

APPLICATIONS:

General purpose use on pumps, fans, blowers, compressors, conveyors, material handling and other industrial machinery installed in damp, dusty or dirty environments.