

**PEXP449TC-250-4**

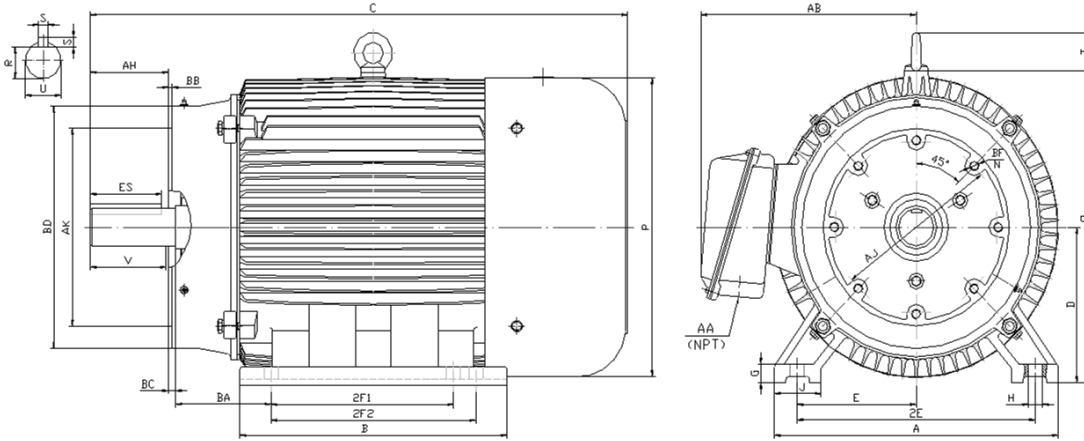
EXPLOSION PROOF ELECTRIC MOTOR

NEMA PREMIUM EFFICIENCY

TOTALLY ENCLOSED FAN COOLED; EXPLOSION PROOF ENCLOSURE

CLASS I DIVISION I GROUP C & D; CLASS II DIVISION I GROUP F & G

OPERATING TEMP CODE T3C



**DIMENSIONS**

HP	RPM	Frame	MOUNTING														
			A	B	C	D	G	H	J	E	2E	2F1	2F2	O	P	T	BA
250	1800	449TC	21.70	31.40	52.80	11.00	1.35	0.81	3.35	9.00	18.00	20.00	25.00	23.00	23.40	3.00	7.50

FLANGE							Shaft Extension, Key Set						Conduit Box		Bearings		Mount
AH	AJ	AK	BB	BC	BD	BF	U	V	R	S	ES	N-W	AA	AB	DE	ODE	
8.25	14.00	16.00	0.25	0.25	18.00	8*5/8-11	3.38	8.25	2.88	0.88	6.91	8.50	3.00	19.90	6319	6318	F1

**BEARING LUBRICATION:** The bearings come lubricated with Mobil Polyrex EM Polyurea Grease. It is recommended that you add some additional lubrication when the motor is installed.

Three options (brands) for suitable lubrication include, but are not limited to, the following:

- 1.) Mobil Polyrex EM
- 2.) Citco Polyurea MP
- 3.) Conoco Phillips Polytac EP



## PEXP449TC-250-4

**EXPLOSION PROOF ELECTRIC MOTOR**

**NEMA PREMIUM EFFICIENCY**

**TOTALLY ENCLOSED FAN COOLED; EXPLOSION PROOF ENCLOSURE**

**CLASS I DIVISION I GROUP C & D; CLASS II DIVISION I GROUP F & G**



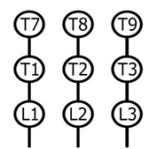

**OPERATING TEMP CODE T3C**

### PERFORMANCE DATA

HP	RPM	Frame	Voltage	Frequency (Hz)	Full Load S.F.	Insulation Class	NEMA Design	Slip (%)	NEMA Code	Enclosure Type	IP Rating	Max. Ambient	Oper Temp Code	Max. KVAR
250	1788	449TC	460	60	1.15	F	B	0.7	G	TEXP	55	40° C	40° C	65.8

Amps (460V)		Max. Amps (208V)	Efficiency (%)				Power Factor			Torque (ft-lb)			DE Bearing	ODE Bearing	Connection	Weight (lbs.)
FLA	LRA	60HZ	100%	75%	50%	Min.	100%	75%	50%	FLT	LRT %	BDT %	6318	6314	6 Lead Δ	2381
268	1825	592.7	96.2	96.3	96.0	95.4	0.850	0.861	0.865	734	80	175				

### NAME PLATE

 						CONNECTION DIAGRAMS		
<b>PREMIUM EFFICIENT EXPLOSION PROOF MOTOR</b>						PWS RUN		
CAT NO: PEXP449TC-250-4		FRAME 449TC		PHASE 3				
DE BRG 6318		ODE BRG 6314		CONN. 6 Lead Δ				
MAX AMB. 40° C		INS. CLASS F		RATING CONT		WEIGHT 2381		
USABLE ON 208V 60HZ AT 592.7				MAX AMPS		SER		
DIVISION 1 CLASS I GROUP C D CLASS II GROUP F G						OPER TEMP CODE 40° C		
60 HERTZ DATA	HP	250	RPM	1788	HP	250	RPM	1490
	VOLTS 460				VOLTS 380			
	F.L. AMPS 268				F.L. AMPS 324.4			
	S.F. AMPS 308.2				S.F. AMPS 324			
	S.F. 1.15 DESIGN B CODE G				S.F. 1.0 DESIGN B CODE H			
	NEMA NOM.EFF. 96.2 % P.F. 0.850				NEMA NOM.EFF. 96.2 % P.F. 0.850			
	NEMA MIN.EFF. 95.4 %				NEMA MIN.EFF. 95.1 %			
MAX. KVAR 65.8				LUB. Mobil Polyrex EM				
<small>General purpose use on industrial machinery installed in damp, dusty or dirty environments. These motors are designed for use in hazardous locations defined by class and group.</small>								
ISO9001 CERTIFIED			CE		SP <sup>®</sup> US		CC 041B	
Hernando, Mississippi								
			<b>ELECTRIC MOTORS FOR HAZARDOUS LOCATIONS</b> CLASS I DIVISION I GROUP C D, CLASS II DIVISION I GROUP F G NO. CCXXXXX E310089					

### APPLICATIONS:

General purpose use on pumps, fans, blowers, compressors, conveyors, material handling and other industrial machinery installed in damp, dusty or dirty environments. These motors are designed to be used in hazardous locations as defined by class and group.