

PC184T-5-4

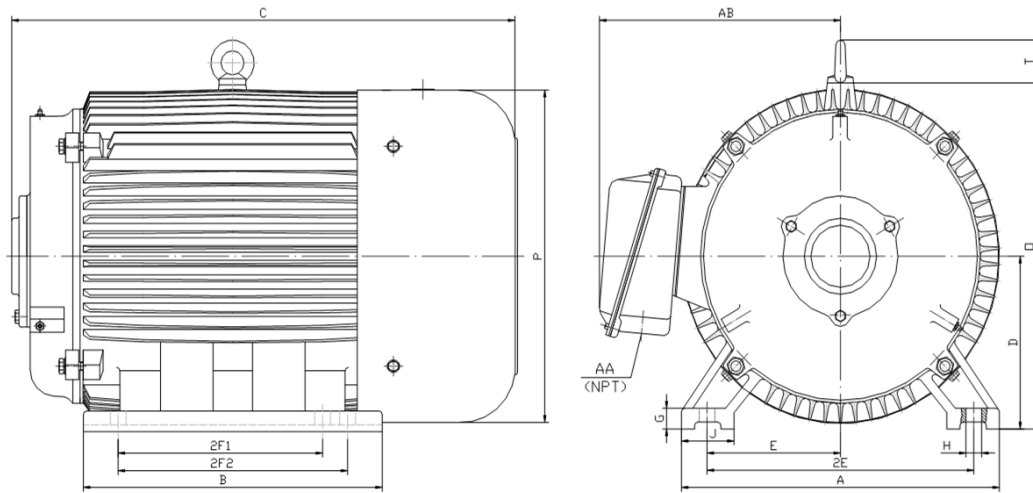
CONVERTER

DESIGNED FOR USE WITH ROTARY PHASE CONVERTER UNITS

TOTALLY ENCLOSED FAN COOLED

SPIKE RESISTANT WIRE (2200V PEAK VOLTAGE SPIKE RATING)

Factory Certified for T2B Class I, Division II, Groups A,B,C & D and Class II, Division II, Groups F & G



DIMENSIONS

| HP | RPM | Frame | MOUNTING | | | | | | | | | | | | | | |
|----|------|-------|----------|------|-------|------|------|------|------|------|------|------|------|------|------|------|------|
| | | | A | B | C | D | G | H | J | E | 2E | 2F1 | 2F2 | O | P | T | BA |
| 5 | 1800 | 184 | 9.50 | 8.30 | 13.35 | 4.50 | 0.60 | 0.41 | 2.00 | 3.75 | 7.50 | 4.50 | 5.50 | 9.10 | 8.70 | 1.60 | 2.75 |

| Conduit Box | | Bearings | | Mount |
|-------------|------|------------|------------|-------|
| AA | AB | DE | ODE | |
| 0.75 | 7.50 | 6306-ZZ/C3 | 6306-ZZ/C3 | F1 |

BEARING LUBRICATION: The bearings come lubricated with Mobile Polyrex EM Polyurea Grease.





PC184T-5-4

CONVERTER

DESIGNED FOR USE WITH ROTARY PHASE CONVERTER UNITS

TOTALLY ENCLOSED FAN COOLED

SPIKE RESISTANT WIRE (2200V PEAK VOLTAGE SPIKE RATING)

Factory Certified for T2B Class I, Division II, Groups A,B,C & D and Class II, Division II, Groups F & G

PERFORMANCE DATA

| HP | RPM | Frame | Voltage | Frequency (Hz) | Full Load S.F. | Insulation Class | NEMA Design | Slip (%) | NEMA Code | Enclosure Type | IP Rating | Max. Ambient |
|----|------|-------|-------------|----------------|----------------|------------------|-------------|----------|-----------|----------------|-----------|--------------|
| 5 | 1740 | 184 | 208-230/460 | 60 | 1.15 | F | B | 3.3 | J | TEFC | 55 | 40° C |

| Amps (460V) | | Efficiency (%) | | Power Factor | Torque (ft-lb) | | | DE Bearing | ODE Bearing | Connection | Weight (lbs.) |
|-------------|------|----------------|------|--------------|----------------|-------|-------|------------|-------------|-------------|---------------|
| FLA | LRA | NOM. | MIN. | 0.81 | FT-LB. | LRT % | BDT % | 6306-ZZ/C3 | 6306-ZZ/C3 | 9 Lead 2Y/Y | 88 |
| 6.7 | 46.0 | 89.5 | 87.5 | | 14.8 | 260 | 310 | | | | |

NAME PLATE

| | | | | | | | | | | | |
|---|-------------|------------|---------------|-------------|------------|---|------|--|--|--|--|
| | | | | | | CONVERTER TOTALLY ENCLOSED FAN COOLED SPIKE RESISTANT WIRE RATED FOR 2200V PEAK VOLTAGE SPIKES | | | CONNECTION DIAGRAMS | | |
| CAT NO: | PC184T-5-4 | FRAME | 184 | HZ | 60 | PHASE | 3 | | | | |
| HP | 5 | RPM | 1740 | IP RATING | 55 | ENCL | TEFC | | | | |
| VOLTS | 208-230/460 | AMPS | 14.8-13.4/6.7 | S.F. | 1.15 | INS | F | | | | |
| FLA | 6.70 | LRA | 46.0 | CODE | J | DESIGN | B | | | | |
| NOM EFF. | 89.50 | P.F. | 0.81 | DE BEARING | 6306-ZZ/C3 | | | | | | |
| MIN EFF. | 87.50 | SLIP | 3.3% | ODE BEARING | 6306-ZZ/C3 | | | | | | |
| MOTOR WEIGHT | 88 LBS | CONNECTION | 9 Lead 2Y/Y | SER | | | | | | | |
| Specifically designed for use with rotary phase converters. | | | | | | | | | | | |
| Hernando, MS 38632 | | | | | | | | | www.naemotors.com | | |

APPLICATIONS:

Specifically designed for use as the converter component for rotary phase converters.