

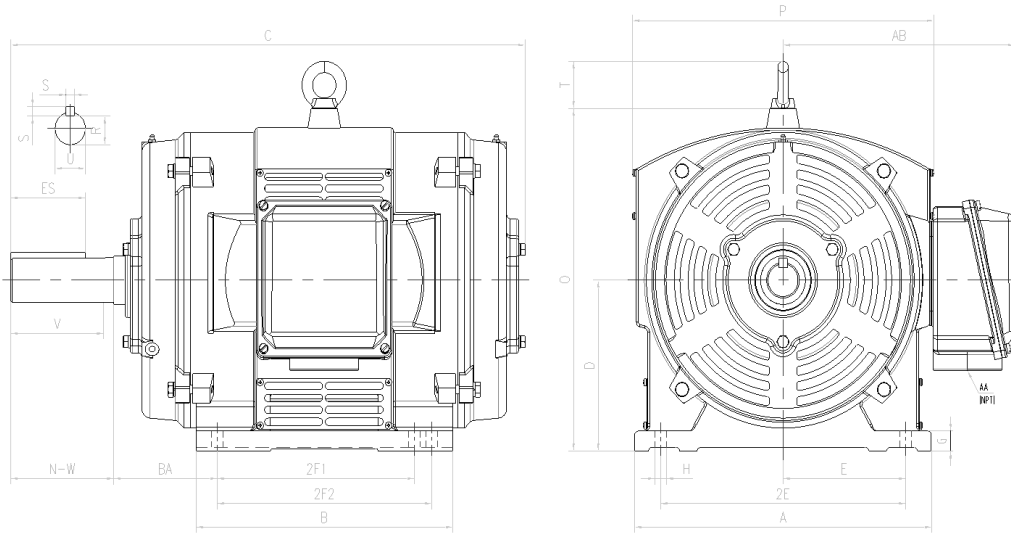
OWP284T-15-6-ODP

OIL WELL PUMP MOTOR

HIGH TORQUE / HIGH SLIP (5 - 8%)

OPEN DRIP PROOF

INVERTER DUTY 10:1 CONSTANT TORQUE - MEETS NEMA MG1 PART 31



DIMENSIONS

HP	RPM	Frame	MOUNTING														
			A	B	C	D	G	H	J	E	2E	2F1	2F2	O	P	T	BA
15	1200	284T	13.00	12.80	24.80	7.00	0.70	0.53	N/A	5.50	11.00	9.50	11.00	14.30	13.95	2.20	4.75

Shaft Extension, Key Set						Conduit Box		Bearings		Mount
U	V	R	S	ES	N-W	AA	AB	DE	ODE	
1.875	4.38	1.591	0.500	3.28	4.62	1.50	10.10	6311	6311	F2

BEARING LUBRICATION: The bearings come lubricated with Mobil Polyrex EM Polyurea Grease. It is recommended that you add some additional lubrication when the motor is installed.

Three options (brands) for suitable lubrication include, but are not limited to, the following:

- 1.) Mobil Polyrex EM
- 2.) Citco Polyurea MP
- 3.) Conoco Phillips Polytac EP





OWP284T-15-6-ODP

OIL WELL PUMP MOTOR

HIGH TORQUE / HIGH SLIP (5 - 8%)

OPEN DRIP PROOF

INVERTER DUTY 10:1 CONSTANT TORQUE - MEETS NEMA MG1 PART 31

PERFORMANCE DATA

HP	RPM	Frame	Voltage	Frequency (Hz)	Full Load S.F.	Insulation Class	NEMA Design	Slip (%)	NEMA Code	Enclosure Type	IP Rating	Max. Ambient
15	1120	284T	230/460/796	60	1.15	F	D	6.7	G	ODP	23	40° C

Amps (460V)		Efficiency (%)				Power Factor			Torque (ft-lb)			DE Bearing	ODE Bearing	Connection	Weight (lbs.)
FLA	LRA	100%	75%	50%	Min.	100%	75%	50%	FLT	LRT %	BDT %	6311	6311	12 Lead 2Δ/Δ/Y	341
22.0	116.0	82.5	83.7	83.5	80.0	0.80	0.72	0.60	70.0	280	315				

NAME PLATE

Oil Well Pump Motor INVERTER DUTY 10:1 CONSTANT TORQUE NEMA DESIGN D HIGH TORQUE/HIGH SLIP (5-8%)						CONNECTION DIAGRAMS 230V 			
CAT NO:	OWP284T-15-6-ODP	HP	15	Hz	60	PHASE	3		
VOLTS	230/460/796		FLA	22.0		IP RATING	23		
RPM	1120	POWER FACTOR	0.80		DESIGN	D			
FRAME	284T	NEMA NOM EFF	82.5		CODE	G			
DRIVE END BEARING	6311	NEMA MIN EFF	80.0		S.F.	1.15			
OPP DRIVE END BEARING	6311	MAX AMB	40° C		INS CLASS	F			
ENCL	ODP	RATING	CONT	SER					
MOTOR WEIGHT	341 LBS	CONNECTION	12 Lead 2Δ/Δ/Y		LUB:	Mobil Polyrex EM			
Designed Specifically for use on Oil Well Pumping Units Hernando, Mississippi CC 082A						460V 			
						796V 			

APPLICATIONS:

Designed Specifically for use on Oil Well Pumping Units. Suitable for use on Variable Frequency Drives (VFDs).