

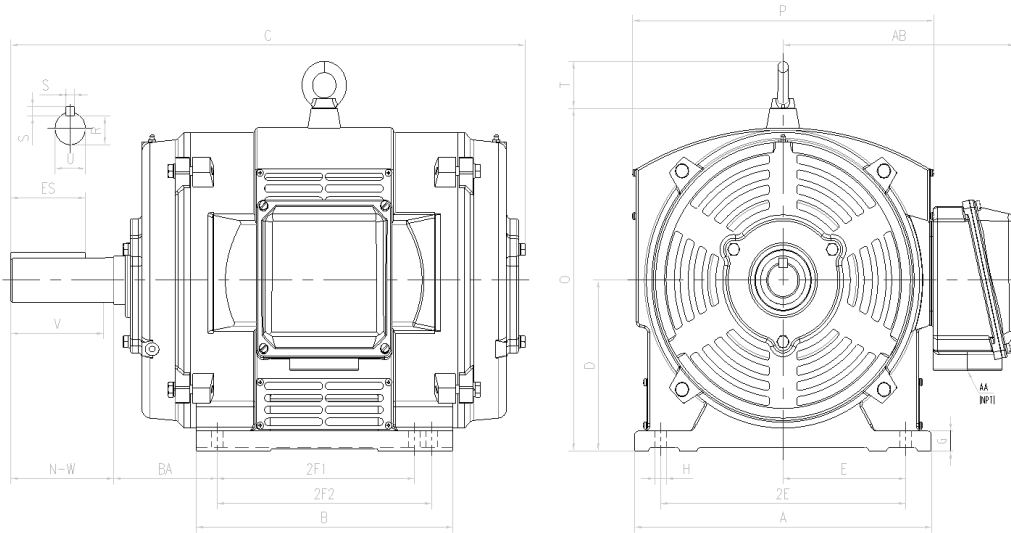
OWP256T-10-6-ODP

OIL WELL PUMP MOTOR

HIGH TORQUE / HIGH SLIP (5 - 8%)

OPEN DRIP PROOF

INVERTER DUTY 10:1 CONSTANT TORQUE - MEETS NEMA MG1 PART 31



DIMENSIONS

HP	RPM	Frame	MOUNTING														
			A	B	C	D	G	H	J	E	2E	2F1	2F2	O	P	T	BA
10	1200	256T	11.85	11.65	22.15	6.25	0.70	0.53	N/A	5.00	10.00	8.25	10.00	13.00	12.90	2.20	4.25

Shaft Extension, Key Set						Conduit Box		Bearings		Mount
U	V	R	S	ES	N-W	AA	AB	DE	ODE	
1.625	3.75	1.416	0.375	2.91	4.00	1.25	9.40	6309	6309	F2

BEARING LUBRICATION: The bearings come lubricated with Mobil Polyrex EM Polyurea Grease. It is recommended that you add some additional lubrication when the motor is installed.

Three options (brands) for suitable lubrication include, but are not limited to, the following:

- 1.) Mobil Polyrex EM
- 2.) Citco Polyurea MP
- 3.) Conoco Phillips Polytac EP





OWP256T-10-6-ODP

OIL WELL PUMP MOTOR

HIGH TORQUE / HIGH SLIP (5 - 8%)

OPEN DRIP PROOF

INVERTER DUTY 10:1 CONSTANT TORQUE - MEETS NEMA MG1 PART 31

PERFORMANCE DATA

HP	RPM	Frame	Voltage	Frequency (Hz)	Full Load S.F.	Insulation Class	NEMA Design	Slip (%)	NEMA Code	Enclosure Type	IP Rating	Max. Ambient
10	1140	256T	230/460/796	60	1.15	F	D	5.0	H	ODP	23	40° C

Amps (460V)		Efficiency (%)					Power Factor			Torque (ft-lb)			DE Bearing	ODE Bearing	Connection	Weight (lbs.)
FLA	LRA	100%	75%	50%	Min.	100%	75%	50%	FLT	LRT %	BDT %	6309	6309	12 Lead 2Δ/Δ/Y	238	
18.0	81.0	81.5	82.0	79.0	78.5	0.65	0.57	0.44	46.0	280	320					

NAME PLATE

Oil Well Pump Motor INVERTER DUTY 10:1 CONSTANT TORQUE NEMA DESIGN D HIGH TORQUE/HIGH SLIP (5-8%)						CONNECTION DIAGRAMS 230V 					
CAT NO:	OWP256T-10-6-ODP	HP	10	Hz	60	PHASE	3	460V 			
VOLTS	230/460/796	FLA	18.0	IP RATING	23	796V 					
RPM	1140	POWER FACTOR	0.65	DESIGN	D						
FRAME	256T	NEMA NOM EFF	81.5	CODE	H						
DRIVE END BEARING	6309	NEMA MIN EFF	78.5	S.F.	1.15						
OPP DRIVE END BEARING	6309	MAX AMB	40° C	INS CLASS	F						
ENCL	ODP	RATING	CONT	SER							
MOTOR WEIGHT	238 LBS	CONNECTION	12 Lead 2Δ/Δ/Y	LUB:	Mobil Polyrex EM						
Designed Specifically for use on Oil Well Pumping Units Hernando, Mississippi CC 082A											

APPLICATIONS:

Designed Specifically for use on Oil Well Pumping Units. Suitable for use on Variable Frequency Drives (VFDs).