

PEXP182T-3-2

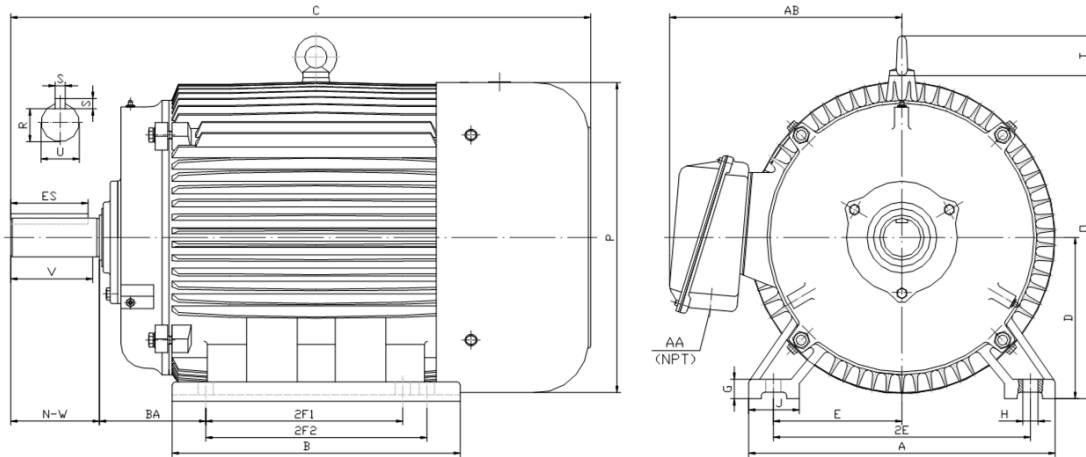
EXPLOSION PROOF ELECTRIC MOTOR

NEMA PREMIUM EFFICIENCY

TOTALLY ENCLOSED FAN COOLED; EXPLOSION PROOF ENCLOSURE

CLASS I DIVISION I GROUP C & D; CLASS II DIVISION I GROUP F & G

OPERATING TEMP CODE T3C



DIMENSIONS

HP	RPM	Frame	MOUNTING														
			A	B	C	D	G	H	J	E	2E	2F1	2F2	O	P	T	BA
3	3600	182T	9.50	7.30	16.10	4.50	0.60	0.41	2.00	3.75	7.50	4.50	5.50	9.10	8.70	1.60	2.75

Shaft Extension, Key Set						Conduit Box		Bearings		Mount
U	V	R	S	ES	N-W	AA	AB	DE	ODE	
1.125	2.50	0.986	0.250	1.78	2.75	0.75	7.50	6306-ZZ	6306-ZZ	F1

BEARING LUBRICATION: The bearings come lubricated with Mobil Polyrex EM Polyurea Grease.





PEXP182T-3-2

**EXPLOSION PROOF ELECTRIC MOTOR
 NEMA PREMIUM EFFICIENCY
 TOTALLY ENCLOSED FAN COOLED; EXPLOSION PROOF ENCLOSURE
 CLASS I DIVISION I GROUP C & D; CLASS II DIVISION I GROUP F & G
 OPERATING TEMP CODE T3C**

PERFORMANCE DATA

HP	RPM	Frame	Voltage	Frequency (Hz)	Full Load S.F.	Insulation Class	NEMA Design	Slip (%)	NEMA Code	Enclosure Type	IP Rating	Max. Ambient	Oper Temp Code	Max. KVAR
3	3528	182T	208-230/460	60	1.15	F	B	2.0	K	TEXP	55	40° C	T3C	1

Amps (460V)		Max. Amps (208V)	Efficiency (%)				Power Factor			Torque (ft-lb)			DE Bearing	ODE Bearing	Connection	Weight (lbs.)
FLA	LRA	60HZ	100%	75%	50%	Min.	100%	75%	50%	FLT	LRT %	BDT %				
3.5	32.0	7.7	86.5	88.0	87.5	84.0	0.87	0.79	0.69	4.5	160	230	6306-ZZ	6306-ZZ	9 Lead 2Y/Y	115

NAME PLATE

				PREMIUM EFFICIENT EXPLOSION PROOF MOTOR		CONNECTION DIAGRAMS		
CAT NO: PEXP182T-3-2		FRAME 182T		PHASE 3				
DE BRG 6306-ZZ		ODE BRG 6306-ZZ		CONN. 9 Lead 2Y/Y				
MAX AMB. 40° C		INS. CLASS F		RATING CONT		WEIGHT 115		
USABLE ON 208V 60HZ AT 7.7		MAX AMPS		SER				
DIVISION 1 CLASS I GROUP C D CLASS II GROUP F G				OPER TEMP CODE T3C				
60 HERTZ DATA	HP 3		RPM 3528		HP 3		RPM 2940	
	VOLTS 208-230/460				VOLTS 190/380			
	F.L. AMPS 7.7 - 7 / 3.5				F.L. AMPS 8.5/4.3			
	S.F. AMPS 4.0				S.F. AMPS 8.5/4.3			
	S.F. 1.15 DESIGN B CODE K				S.F. 1.0 DESIGN B CODE L			
	NEMA NOM.EFF. 86.5 % P.F. 0.87				NEMA NOM.EFF. 85.9 % P.F. 0.87			
	NEMA MIN.EFF. 84.0 %				NEMA MIN.EFF. 83.1 %			
MAX. KVAR 1		LUB. Mobil Polyrex EM						
<small>General purpose use on industrial machinery installed in damp, dusty or dirty environments. These motors are designed for use in hazardous locations defined by class and group.</small>								
Hernando, Mississippi								
		CC 041B						

	ELECTRIC MOTORS FOR HAZARDOUS LOCATIONS CLASS I DIVISION I GROUP C D, CLASS II DIVISION I GROUP F G NO. CCXXXXX E310089
--	--

APPLICATIONS:

General purpose use on pumps, fans, blowers, compressors, conveyors, material handling and other industrial machinery installed in damp, dusty or dirty environments. These motors are designed to be used in hazardous locations as defined by class and group.