

**PEXP143T-1-4**

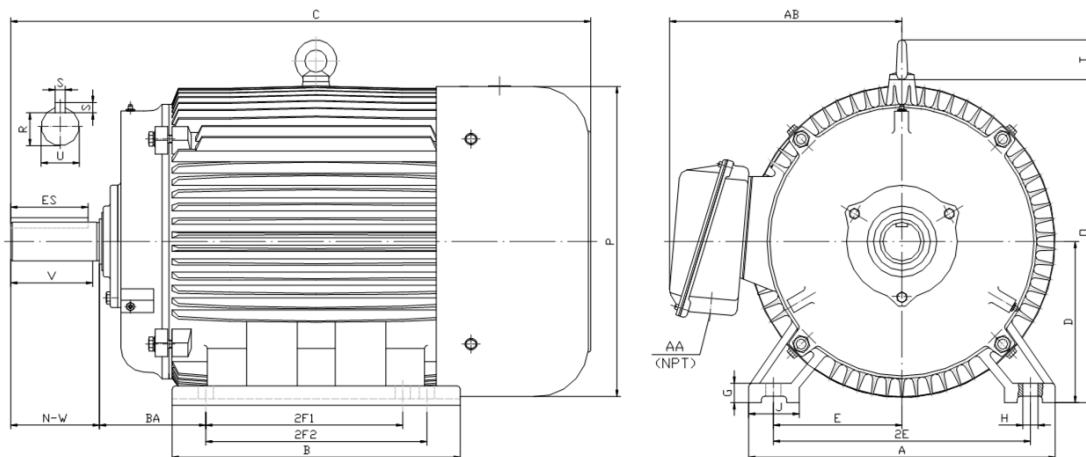
**EXPLOSION PROOF ELECTRIC MOTOR**

**NEMA PREMIUM EFFICIENCY**

**TOTALLY ENCLOSED FAN COOLED; EXPLOSION PROOF ENCLOSURE**

**CLASS I DIVISION I GROUP C & D; CLASS II DIVISION I GROUP F & G**

**OPERATING TEMP CODE T3C**



**DIMENSIONS**

HP	RPM	Frame	MOUNTING														
			A	B	C	D	G	H	J	E	2E	2F1	2F2	O	P	T	BA
1	1800	143T	7.00	5.20	12.60	3.50	0.50	0.34	1.40	2.75	5.50	4.00	0.00	7.10	6.95	0.00	2.25

Shaft Extension, Key Set						Conduit Box		Bearings		Mount
U	V	R	S	ES	N-W	AA	AB	DE	ODE	
0.875	2.00	0.771	0.188	1.41	2.25	0.75	6.10	6205-ZZ	6205-ZZ	F1

**BEARING LUBRICATION:** The bearings come lubricated with Mobil Polyrex EM Polyurea Grease.





**PEXP143T-1-4**

**EXPLOSION PROOF ELECTRIC MOTOR  
 NEMA PREMIUM EFFICIENCY  
 TOTALLY ENCLOSED FAN COOLED; EXPLOSION PROOF ENCLOSURE  
 CLASS I DIVISION I GROUP C & D; CLASS II DIVISION I GROUP F & G  
 OPERATING TEMP CODE T3C**

**PERFORMANCE DATA**

HP	RPM	Frame	Voltage	Frequency (Hz)	Full Load S.F.	Insulation Class	NEMA Design	Slip (%)	NEMA Code	Enclosure Type	IP Rating	Max. Ambient	Oper Temp Code	Max. KVAR
1	1773	143T	208-230/460	60	1.15	F	B	1.5	N	TEXP	55	40° C	T3C	0.6

Amps (460V)		Max. Amps (208V)	Efficiency (%)				Power Factor			Torque (ft-lb)			DE Bearing	ODE Bearing	Connection	Weight (lbs.)
FLA	LRA	60HZ	100%	75%	50%	Min.	100%	75%	50%	FLT	LRT %	BDT %				
1.4	15.0	3.0	85.5	84.5	81.3	82.5	0.79	0.67	0.52	3.0	275	300	6205-ZZ	6205-ZZ	9 Lead 2Y/Y	62

**NAME PLATE**

				<b>PREMIUM EFFICIENT EXPLOSION PROOF MOTOR</b>		<b>CONNECTION DIAGRAMS</b>	
CAT NO: PEXP143T-1-4		FRAME 143T		PHASE 3			
DE BRG 6205-ZZ		ODE BRG 6205-ZZ		CONN. 9 Lead 2Y/Y			
MAX AMB. 40° C		INS. CLASS F		RATING CONT		WEIGHT 62	
USABLE ON 208V 60HZ AT 3.0		MAX AMPS		SER			
DIVISION 1 CLASS I GROUP C D CLASS II GROUP F G		OPER TEMP CODE T3C					
60 HERTZ DATA	HP 1	RPM 1773	HP 1	RPM 1478	50 HERTZ DATA		
	VOLTS 208-230/460		VOLTS 190/380				
	F.L. AMPS 3 - 2.7 / 1.35		F.L. AMPS 3.3/1.7				
	S.F. AMPS 1.6		S.F. AMPS 3.3/1.7				
	S.F. 1.15 DESIGN B CODE N		S.F. 1.0 DESIGN B CODE P				
	NEMA NOM.EFF. 85.5 % P.F. 0.79		NEMA NOM.EFF. 82.5 % P.F. 0.79				
	NEMA MIN.EFF. 82.5 %		NEMA MIN.EFF. 79.0 %				
MAX. KVAR 0.6		LUB. Mobil Polyrex EM					
<small>General purpose use on industrial machinery installed in damp, dusty or dirty environments. These motors are designed for use in hazardous locations defined by class and group.</small>							
Hernando, Mississippi				CC 041B			

	<b>ELECTRIC MOTORS FOR HAZARDOUS LOCATIONS</b> CLASS I DIVISION I GROUP C D, CLASS II DIVISION I GROUP F G NO. CCXXXXX E310089
--	--

**APPLICATIONS:**

General purpose use on pumps, fans, blowers, compressors, conveyors, material handling and other industrial machinery installed in damp, dusty or dirty environments. These motors are designed to be used in hazardous locations as defined by class and group.