

PE365JP-75-4

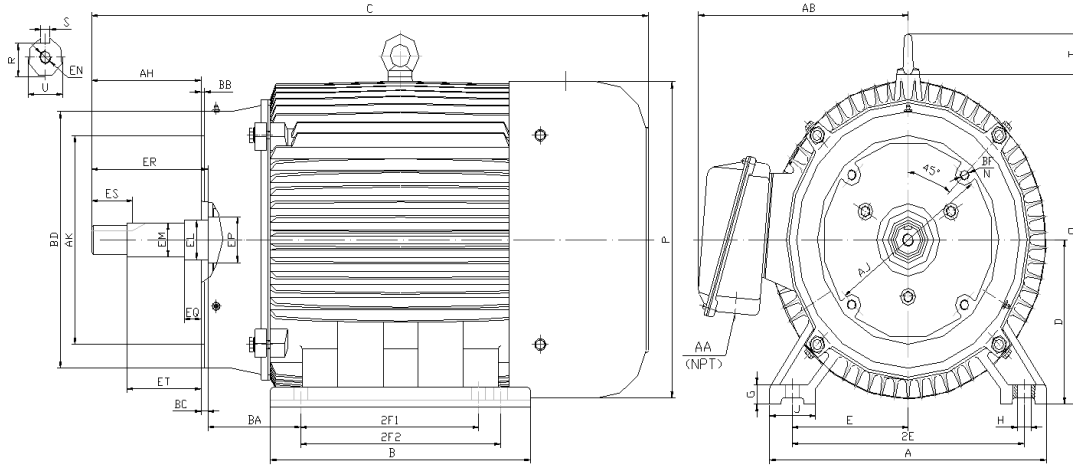
CLOSE COUPLED PUMP MOTORS

NEMA PREMIUM EFFICIENCY

THREE PHASE, TOTALLY ENCLOSED FAN COOLED, JP FRAME

INVERTER DUTY 10:1 CT; 20:1 VT - NEMA MG1 PART 31

Factory Certified for T2B Class I, Division II, Groups A,B,C & D and Class II, Division II, Groups F & G



DIMENSIONS

HP	RPM	Frame	MOUNTING														
			A	B	C	D	G	H	J	E	2E	2F1	2F2	O	P	T	BA
75	1800	365JP	17.10	15.40	36.00	9.00	1.15	0.66	2.95	7.00	14.00	11.25	12.25	18.50	18.40	2.60	5.88

FLANGE								Shaft Extension, Key Set									
AK	AJ	AH	BB	BC	BD	N*BF	U	R	S	EQ	ER	ES	ET	EP	EL	EM	EN
12.500 12.495	11.00	8.156 8.094	0.312 0.250	0.25	14.0	8*5/8-11	1.6245 1.6240	1.415 1.401	0.377 0.375	2.395 2.355	8.13	2.53	5.895 5.855	2.56	2.125 2.123	1.7500 1.7495	1/2-13

Conduit Box		Bearings		Mount
AA	AB	DE	ODE	
3.00	15.00	6313	6313	F1

BEARING LUBRICATION: The bearings come lubricated with Mobil Polyrex EM Polyurea Grease.





PE365JP-75-4

CLOSE COUPLED PUMP MOTORS

NEMA PREMIUM EFFICIENCY

THREE PHASE, TOTALLY ENCLOSED FAN COOLED, JP FRAME

INVERTER DUTY 10:1 CT; 20:1 VT - NEMA MG1 PART 31

Factory Certified for T2B Class I, Division II, Groups A,B,C & D and Class II, Division II, Groups F & G

PERFORMANCE DATA

HP	RPM	Frame	Voltage	Frequency (Hz)	Full Load S.F.	Insulation Class	NEMA Design	Slip (%)	NEMA Code	Enclosure Type	IP Rating	Max. Ambient
75	1780	365JP	208-230/460	60	1.15	F	B	1.1	G	TEFC	55	40° C

Amps (460V)		Efficiency (%)				Power Factor			Torque (ft-lb)			DE Bearing	ODE Bearing	Connection	Weight (lbs.)
FLA	LRA	100%	75%	50%	Min.	100%	75%	50%	FLT	LRT %	BDT %				
87.0	542.0	95.4	95.5	94.5	95.5	0.850	0.820	0.750	222.0	160	250	6313	6313	12 Lead 2Δ/Δ	836

NAME PLATE

				INVERTER DUTY 20:1 VT; 10:1 CT		CLOSE COUPLED PUMP MOTOR		CONNECTION DIAGRAMS		
CAT NO: PE365JP-75-4		FRAME: 365JP		PHASE: 3		208-230V				
HZ: 60	S.F.: 1.15	HZ: 50	S.F.: 1.0	ENCL: TEFC	IP: 55					
HP: 75	RPM: 1780	HP: 75	RPM: 1480	DUTY: CONT	DES: B					
VOLTS: 208-230/460		VOLTS: 190/380		AMB: 40° C	INS: F					
FLA: 193 - 174 / 87	FLA: 210/105		DE BEARING: 6313						460V	
CODE: G	P.F.: 0.85	CODE: F	P.F.: 0.86	ODE BEARING: 6313						
EFF: 95.4	MIN: 95.5	EFF: 94	MIN: 93.1	LUB: Mobil Polyrex EM						
MOTOR WEIGHT: 836 LBS		CONNECTION: 12 Lead 2Δ/Δ		SER NO:						
Specifically designed for use on industrial and commercial pumping units. Hernando, Mississippi								CC 082A		

APPLICATIONS:

Specifically designed for use on industrial and commercial pumping units.