

PE284JP-25-2

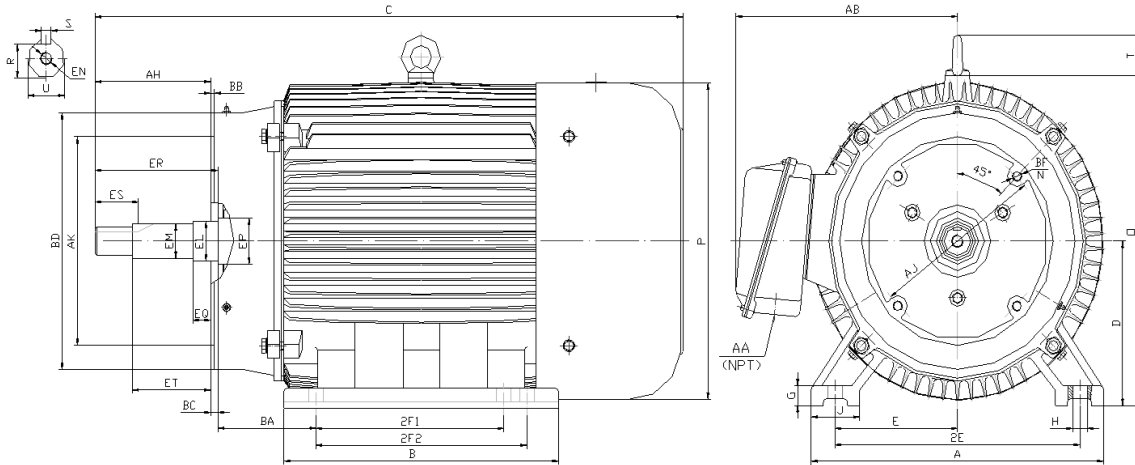
CLOSE COUPLED PUMP MOTORS

NEMA PREMIUM EFFICIENCY

THREE PHASE, TOTALLY ENCLOSED FAN COOLED, JP FRAME

INVERTER DUTY 10:1 CT; 20:1 VT - NEMA MG1 PART 31

Factory Certified for T2B Class I, Division II, Groups A,B,C & D and Class II, Division II, Groups F & G



DIMENSIONS

HP	RPM	Frame	MOUNTING														
			A	B	C	D	G	H	J	E	2E	2F1	2F2	O	P	T	BA
25	3600	284JP	14.00	13.20	30.35	7.00	0.85	0.53	2.75	5.50	11.00	9.50	NA	14.50	14.00	2.20	4.75

FLANGE							Shaft Extension, Key Set										
AK	AJ	AH	BB	BC	BD	N*BF	U	R	S	EQ	ER	ES	ET	EP	EL	EM	EN
12.500	11.00	8.156	0.312	0.25	14.0	4*5/8-11	1.2495	1.112	0.252	2.390	8.13	2.53	5.895	2.16	1.750	1.3750	1/2-13
12.495		8.094	0.250				1.2490	1.097	0.250	2.360			5.855		1.748	1.3745	

Conduit Box		Bearings		Mount
AA	AB	DE	ODE	
1.50	11.30	6311	6311	F1

BEARING LUBRICATION: The bearings come lubricated with Mobil Polyrex EM Polyurea Grease.





PE284JP-25-2

CLOSE COUPLED PUMP MOTORS

NEMA PREMIUM EFFICIENCY

THREE PHASE, TOTALLY ENCLOSED FAN COOLED, JP FRAME

INVERTER DUTY 10:1 CT; 20:1 VT - NEMA MG1 PART 31

Factory Certified for T2B Class I, Division II, Groups A,B,C & D and Class II, Division II, Groups F & G

PERFORMANCE DATA

HP	RPM	Frame	Voltage	Frequency (Hz)	Full Load S.F.	Insulation Class	NEMA Design	Slip (%)	NEMA Code	Enclosure Type	IP Rating	Max. Ambient
25	3540	284JP	208-230/460	60	1.15	F	B	1.7	G	TEFC	55	40° C

Amps (460V)		Efficiency (%)				Power Factor			Torque (ft-lb)			DE Bearing	ODE Bearing	Connection	Weight (lbs.)
FLA	LRA	100%	75%	50%	Min.	100%	75%	50%	FLT	LRT %	BDT %				
28.5	182.0	91.7	91.2	90.0	90.2	0.900	0.870	0.810	37.2	150	240	6311	6311	12 Lead 2Δ/Δ	371

NAME PLATE

													CONNECTION DIAGRAMS 208-230V 			
INVERTER DUTY 20:1 VT; 10:1 CT										CLOSE COUPLED PUMP MOTOR						
CAT NO: PE284JP-25-2			FRAME 284JP			PHASE 3										
HZ 60	S.F. 1.15	HZ 50	S.F. 1.0	ENCL TEFC	IP 55											
HP 25	RPM 3540	HP 25	RPM 2930	DUTY CONT	DES B											
VOLTS 208-230/460			VOLTS 190/380			AMB 40° C			INS F							
FLA 61 - 57 / 28.5	FLA 69/34.5			DE BEARING 6311												
CODE G	P.F. 0.90	CODE F	P.F. 0.91	ODE BEARING 6311												
EFF 91.7	MIN 90.2	EFF 90	MIN 88.5	LUB: Mobil Polyrex EM												
MOTOR WEIGHT 371 LBS		CONNECTION 12 Lead 2Δ/Δ			SER NO											
Specifically designed for use on industrial and commercial pumping units. Hernando, Mississippi										CC 082A			460V 			

APPLICATIONS:

Specifically designed for use on industrial and commercial pumping units.