

**PE256JP-20-4**

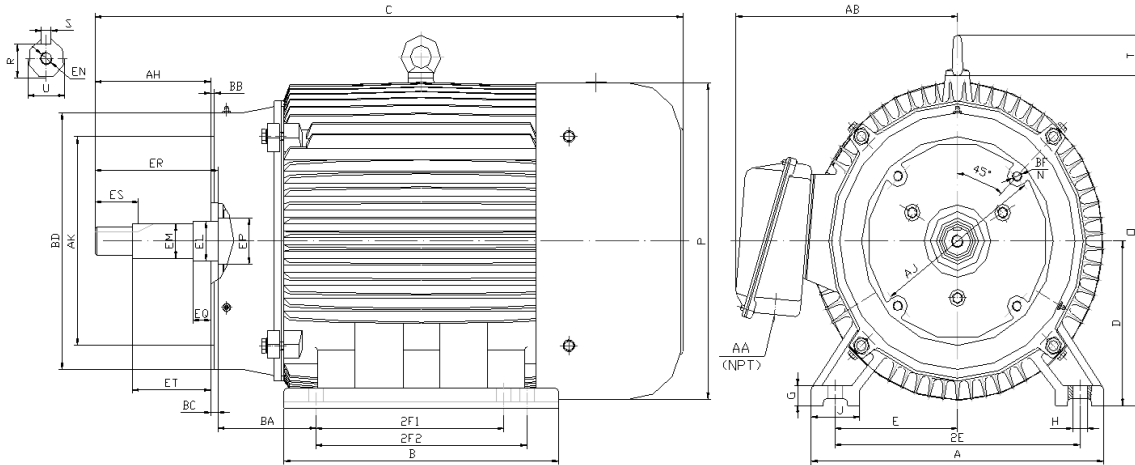
**CLOSE COUPLED PUMP MOTORS**

**NEMA PREMIUM EFFICIENCY**

**THREE PHASE, TOTALLY ENCLOSED FAN COOLED, JP FRAME**

**INVERTER DUTY 10:1 CT; 20:1 VT - NEMA MG1 PART 31**

Factory Certified for T2B Class I, Division II, Groups A,B,C & D and Class II, Division II, Groups F & G



**DIMENSIONS**

HP	RPM	Frame	MOUNTING														
			A	B	C	D	G	H	J	E	2E	2F1	2F2	O	P	T	BA
20	1800	256JP	13.00	12.20	29.38	6.25	0.70	0.53	2.75	5.00	10.00	8.25	10.00	13.20	12.80	2.20	4.75

FLANGE							Shaft Extension, Key Set										
AK	AJ	AH	BB	BC	BD	N*BF	U	R	S	EQ	ER	ES	ET	EP	EL	EM	EN
8.500	7.25	8.156	0.312	0.25	10.0	4*1/2-13	1.2495	1.112	0.252	2.390	8.13	2.53	5.890	1.77	1.750	1.3750	1/2-13
8.497		8.094	0.250				1.2490	1.097	0.250	2.360			5.860		1.748	1.3745	

Conduit Box		Bearings		Mount
AA	AB	DE	ODE	
1.25	10.30	6309	6309	F1

**BEARING LUBRICATION:** The bearings come lubricated with Mobil Polyrex EM Polyurea Grease.





## PE256JP-20-4

**CLOSE COUPLED PUMP MOTORS**

**NEMA PREMIUM EFFICIENCY**

**THREE PHASE, TOTALLY ENCLOSED FAN COOLED, JP FRAME**

**INVERTER DUTY 10:1 CT; 20:1 VT - NEMA MG1 PART 31**

Factory Certified for T2B Class I, Division II, Groups A,B,C & D and Class II, Division II, Groups F & G

### PERFORMANCE DATA

HP	RPM	Frame	Voltage	Frequency (Hz)	Full Load S.F.	Insulation Class	NEMA Design	Slip (%)	NEMA Code	Enclosure Type	IP Rating	Max. Ambient
20	1760	256JP	208-230/460	60	1.15	F	B	2.2	G	TEFC	55	40° C

Amps (460V)		Efficiency (%)				Power Factor			Torque (ft-lb)			DE Bearing	ODE Bearing	Connection	Weight (lbs.)
FLA	LRA	100%	75%	50%	Min.	100%	75%	50%	FLT	LRT %	BDT %	6309	6309	12 Lead 2Δ/Δ	312
24.2	145.0	93.0	93.2	93.0	91.7	0.830	0.780	0.670	59.8	160	260				

### NAME PLATE

													<b>CONNECTION DIAGRAMS</b>								
<b>INVERTER DUTY 20:1 VT; 10:1 CT</b>										<b>CLOSE COUPLED PUMP MOTOR</b>			<b>208-230V</b>								
CAT NO: PE256JP-20-4			FRAME 256JP			PHASE 3															
HZ 60	S.F. 1.15	HZ 50	S.F. 1.0	ENCL TEFC	IP 55																
HP 20	RPM 1760	HP 20	RPM 1460	DUTY CONT	DES B																
VOLTS 208-230/460			VOLTS 190/380			AMB 40° C			INS F												
FLA 51.8 - 48.4 / 24.2	FLA 58/29			DE BEARING 6309																	
CODE G	P.F. 0.83	CODE F	P.F. 0.85	ODE BEARING 6309																	
EFF 93.0	MIN 91.7	EFF 91.5	MIN 90.2	LUB: Mobil Polyrex EM						<b>460V</b>											
MOTOR WEIGHT 312 LBS			CONNECTION 12 Lead 2Δ/Δ			SER NO															
Specifically designed for use on industrial and commercial pumping units. Hernando, Mississippi																			CC 082A		

### APPLICATIONS:

Specifically designed for use on industrial and commercial pumping units.