

PE256JP-20-2

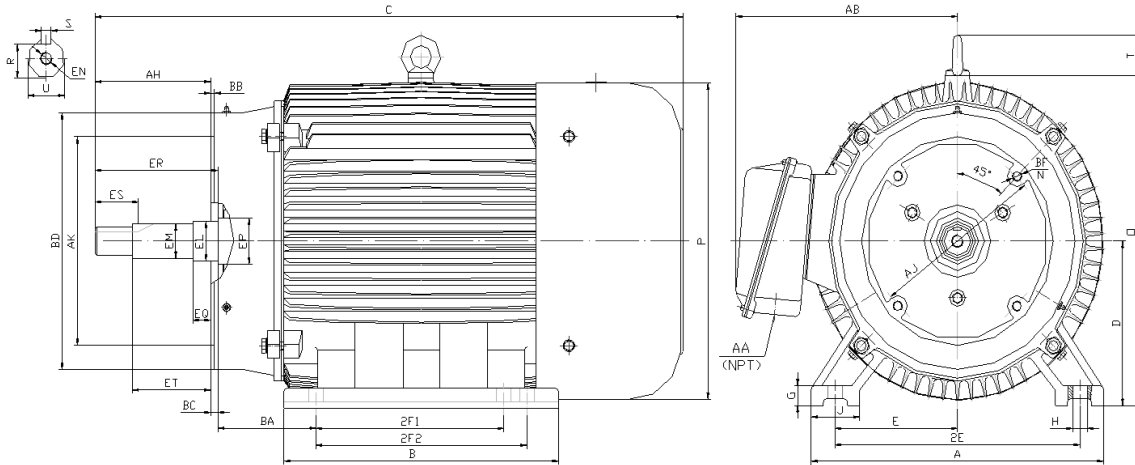
CLOSE COUPLED PUMP MOTORS

NEMA PREMIUM EFFICIENCY

THREE PHASE, TOTALLY ENCLOSED FAN COOLED, JP FRAME

INVERTER DUTY 10:1 CT; 20:1 VT - NEMA MG1 PART 31

Factory Certified for T2B Class I, Division II, Groups A,B,C & D and Class II, Division II, Groups F & G



DIMENSIONS

HP	RPM	Frame	MOUNTING														
			A	B	C	D	G	H	J	E	2E	2F1	2F2	O	P	T	BA
20	3600	256JP	13.00	12.20	29.38	6.25	0.70	0.53	2.75	5.00	10.00	8.25	10.00	13.00	12.40	2.20	4.75

FLANGE							Shaft Extension, Key Set										
AK	AJ	AH	BB	BC	BD	N*BF	U	R	S	EQ	ER	ES	ET	EP	EL	EM	EN
8.500	7.25	8.156	0.312	0.25	10.0	4*1/2-13	1.2495	1.112	0.252	2.390	8.13	2.53	5.890	1.77	1.750	1.3750	1/2-13
8.497		8.094	0.250				1.2490	1.097	0.250	2.360			5.860		1.748	1.3745	

Conduit Box		Bearings		Mount
AA	AB	DE	ODE	
1.25	10.10	6309	6309	F1

BEARING LUBRICATION: The bearings come lubricated with Mobil Polyrex EM Polyurea Grease.





PE256JP-20-2

CLOSE COUPLED PUMP MOTORS

NEMA PREMIUM EFFICIENCY

THREE PHASE, TOTALLY ENCLOSED FAN COOLED, JP FRAME

INVERTER DUTY 10:1 CT; 20:1 VT - NEMA MG1 PART 31

Factory Certified for T2B Class I, Division II, Groups A,B,C & D and Class II, Division II, Groups F & G

PERFORMANCE DATA

HP	RPM	Frame	Voltage	Frequency (Hz)	Full Load S.F.	Insulation Class	NEMA Design	Slip (%)	NEMA Code	Enclosure Type	IP Rating	Max. Ambient
20	3540	256JP	208-230/460	60	1.15	F	B	1.7	G	TEFC	55	40° C

Amps (460V)		Efficiency (%)				Power Factor			Torque (ft-lb)			DE Bearing	ODE Bearing	Connection	Weight (lbs.)
FLA	LRA	100%	75%	50%	Min.	100%	75%	50%	FLT	LRT %	BDT %	6309	6309	12 Lead 2Δ/Δ	269
23.0	145.0	91.0	91.0	90.0	89.5	0.870	0.850	0.790	29.8	150	250				

NAME PLATE

													CONNECTION DIAGRAMS 208-230V 				
INVERTER DUTY 20:1 VT; 10:1 CT										CLOSE COUPLED PUMP MOTOR							
CAT NO: PE256JP-20-2			FRAME 256JP			PHASE 3											
HZ 60	S.F. 1.15	HZ 50	S.F. 1.0	ENCL TEFC	IP 55												
HP 20	RPM 3540	HP 20	RPM 2920	DUTY CONT	DES B												
VOLTS 208-230/460			VOLTS 190/380			AMB 40° C			INS F								
FLA 48.5 - 46 / 23			FLA 57/28.5			DE BEARING 6309											
CODE G		P.F. 0.87	CODE E		P.F. 0.89	ODE BEARING 6309											
EFF 91.0		MIN 89.5	EFF 89	MIN 87.5	LUB: Mobil Polyrex EM												
MOTOR WEIGHT 269		LBS	CONNECTION 12 Lead 2Δ/Δ		SER NO						460V 						
Specifically designed for use on industrial and commercial pumping units. Hernando, Mississippi																CC 082A	

APPLICATIONS:

Specifically designed for use on industrial and commercial pumping units.