

PE215JP-10-4

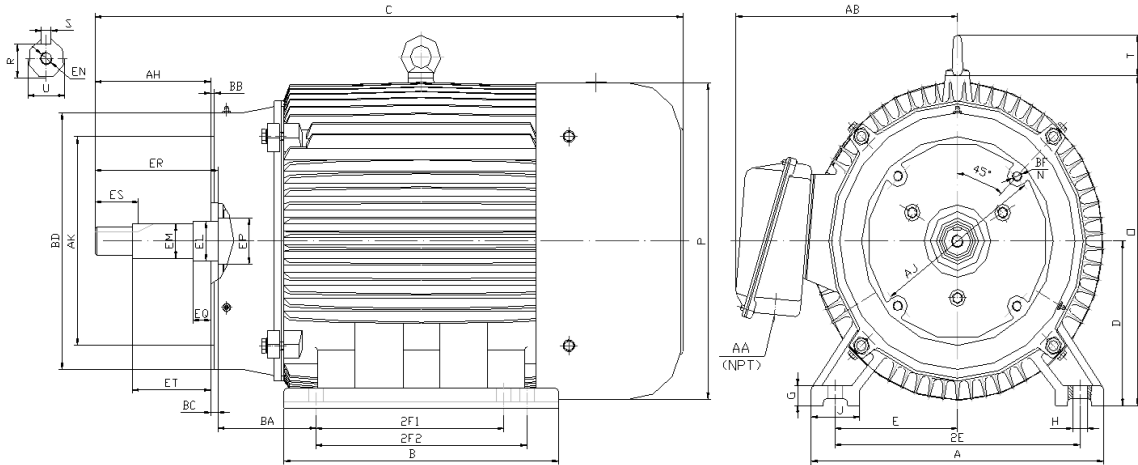
CLOSE COUPLED PUMP MOTORS

NEMA PREMIUM EFFICIENCY

THREE PHASE, TOTALLY ENCLOSED FAN COOLED, JP FRAME

INVERTER DUTY 10:1 CT; 20:1 VT - NEMA MG1 PART 31

Factory Certified for T2B Class I, Division II, Groups A,B,C & D and Class II, Division II, Groups F & G



DIMENSIONS

HP	RPM	Frame	MOUNTING														
			A	B	C	D	G	H	J	E	2E	2F1	2F2	O	P	T	BA
10	1800	215JP	11.00	9.40	26.15	5.25	0.70	0.41	2.40	4.25	8.50	5.50	7.00	11.20	11.60	1.90	4.25

FLANGE							Shaft Extension, Key Set										
AK	AJ	AH	BB	BC	BD	N*BF	U	R	S	EQ	ER	ES	ET	EP	EL	EM	EN
8.500	7.25	8.156	0.312	0.25	9.00	4*1/2-13	1.2495	1.112	0.252	2.390	8.13	2.53	5.890	1.77	1.750	1.3750	1/2-13
8.497		8.094	0.250				1.2490	1.097	0.250	2.360			5.860		1.748	1.3745	

Conduit Box		Bearings		Mount
AA	AB	DE	ODE	
1.00	9.00	6309-ZZ	6308-ZZ	

BEARING LUBRICATION: The bearings come lubricated with Mobil Polyrex EM Polyurea Grease.





PE215JP-10-4

CLOSE COUPLED PUMP MOTORS

NEMA PREMIUM EFFICIENCY

THREE PHASE, TOTALLY ENCLOSED FAN COOLED, JP FRAME

INVERTER DUTY 10:1 CT; 20:1 VT - NEMA MG1 PART 31

Factory Certified for T2B Class I, Division II, Groups A,B,C & D and Class II, Division II, Groups F & G

PERFORMANCE DATA

HP	RPM	Frame	Voltage	Frequency (Hz)	Full Load S.F.	Insulation Class	NEMA Design	Slip (%)	NEMA Code	Enclosure Type	IP Rating	Max. Ambient
10	1770	215JP	208-230/460	60	1.15	F	B	1.7	H	TEFC	55	40° C

Amps (460V)			Efficiency (%)				Power Factor			Torque (ft-lb)			DE Bearing	ODE Bearing	Connection	Weight (lbs.)
FLA	LRA		100%	75%	50%	Min.	100%	75%	50%	FLT	LRT %	BDT %				
12.0	81.0		91.7	91.8	90.0	90.2	0.810	0.770	0.670	30.0	170	280	6309-ZZ	6308-ZZ	9 Lead 2Y/Y	186

NAME PLATE

													CONNECTION DIAGRAMS 208-230V 		
INVERTER DUTY 20:1 VT; 10:1 CT										CLOSE COUPLED PUMP MOTOR					
CAT NO: PE215JP-10-4			FRAME 215JP			PHASE 3			460V 						
HZ 60	S.F. 1.15	HZ 50	S.F. 1.0	ENCL TEFC	IP 55										
HP 10	RPM 1770	HP 10	RPM 1460	DUTY CONT	DES B										
VOLTS 208-230/460			VOLTS 190/380			AMB 40° C			INS F						
FLA 26 - 24 / 12			FLA 30/15			DE BEARING 6309-ZZ			ODE BEARING 6308-ZZ						
CODE H	P.F. 0.81	CODE F	P.F. 0.84	LUB: Mobil Polyrex EM											
EFF 91.7	MIN 90.2	EFF 89.7	MIN 88.2	MOTOR WEIGHT 186 LBS			CONNECTION 9 Lead 2Y/Y			SER NO					
Specifically designed for use on industrial and commercial pumping units. Hernando, Mississippi										CC 082A					

APPLICATIONS:

Specifically designed for use on industrial and commercial pumping units.