

**PE213JP-7.5-4**

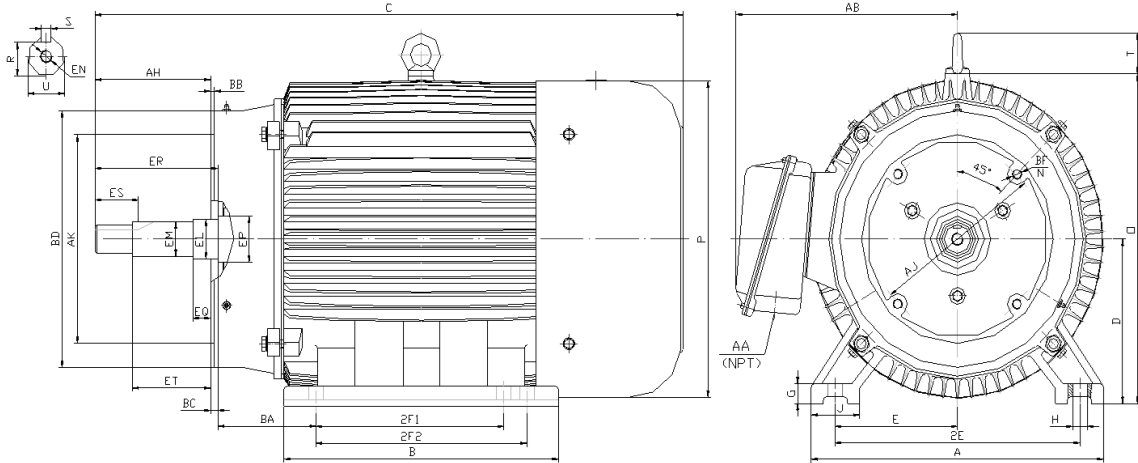
**CLOSE COUPLED PUMP MOTORS**

**NEMA PREMIUM EFFICIENCY**

**THREE PHASE, TOTALLY ENCLOSED FAN COOLED, JP FRAME**

**INVERTER DUTY 10:1 CT; 20:1 VT - NEMA MG1 PART 31**

Factory Certified for T2B Class I, Division II, Groups A,B,C & D and Class II, Division II, Groups F & G



**DIMENSIONS**

HP	RPM	Frame	MOUNTING														
			A	B	C	D	G	H	J	E	2E	2F1	2F2	O	P	T	BA
7.5	1800	213JP	11.00	7.90	24.65	5.25	0.70	0.41	2.40	4.25	8.50	5.50	NA	11.20	11.60	1.90	4.25

FLANGE							Shaft Extension, Key Set										
AK	AJ	AH	BB	BC	BD	N*BF	U	R	S	EQ	ER	ES	ET	EP	EL	EM	EN
8.500	7.25	8.156	0.312	0.25	9.00	4*1/2-13	1.2495	1.112	0.252	2.390	8.13	2.53	5.890	1.77	1.750	1.3750	1/2-13
8.497		8.094	0.250				1.2490	1.097	0.250	2.360			5.860		1.748	1.3745	

Conduit Box		Bearings		Mount
AA	AB	DE	ODE	
1.00	9.00	6309-ZZ	6308-ZZ	

**BEARING LUBRICATION:** The bearings come lubricated with Mobil Polyrex EM Polyurea Grease.





## PE213JP-7.5-4

**CLOSE COUPLED PUMP MOTORS**

**NEMA PREMIUM EFFICIENCY**

**THREE PHASE, TOTALLY ENCLOSED FAN COOLED, JP FRAME**

**INVERTER DUTY 10:1 CT; 20:1 VT - NEMA MG1 PART 31**

Factory Certified for T2B Class I, Division II, Groups A,B,C & D and Class II, Division II, Groups F & G

### PERFORMANCE DATA

HP	RPM	Frame	Voltage	Frequency (Hz)	Full Load S.F.	Insulation Class	NEMA Design	Slip (%)	NEMA Code	Enclosure Type	IP Rating	Max. Ambient
7.5	1770	213JP	208-230/460	60	1.15	F	B	1.7	H	TEFC	55	40° C

Amps (460V)			Efficiency (%)				Power Factor			Torque (ft-lb)			DE Bearing	ODE Bearing	Connection	Weight (lbs.)
FLA	LRA		100%	75%	50%	Min.	100%	75%	50%	FLT	LRT %	BDT %				
9.2	63.0		91.7	91.7	90.0	90.2	0.800	0.740	0.630	22.5	180	280	6309-ZZ	6308-ZZ	9 Lead 2Y/Y	159

### NAME PLATE

													<b>CONNECTION DIAGRAMS</b>  <b>208-230V</b> 		
<b>INVERTER DUTY 20:1 VT; 10:1 CT</b>										<b>CLOSE COUPLED PUMP MOTOR</b>					
CAT NO: PE213JP-7.5-4			FRAME 213JP			PHASE 3			<b>460V</b> 						
HZ 60	S.F. 1.15	HZ 50	S.F. 1.0	ENCL TEFC	IP 55										
HP 7.5	RPM 1770	HP 7.5	RPM 1465	DUTY CONT	DES B										
VOLTS 208-230/460			VOLTS 190/380			AMB 40° C			INS F						
FLA 19.8 - 18.4 / 9.2	FLA 23/11.5			DE BEARING 6309-ZZ											
CODE H	P.F. 0.80	CODE G	P.F. 0.83	ODE BEARING 6308-ZZ											
EFF 91.7	MIN 90.2	EFF 89.7	MIN 88.2	LUB: Mobil Polyrex EM											
MOTOR WEIGHT 159 LBS		CONNECTION 9 Lead 2Y/Y		SER NO											
Specifically designed for use on industrial and commercial pumping units.  Hernando, Mississippi										CC 082A					

### APPLICATIONS:

Specifically designed for use on industrial and commercial pumping units.