

PE213JP-7.5-2

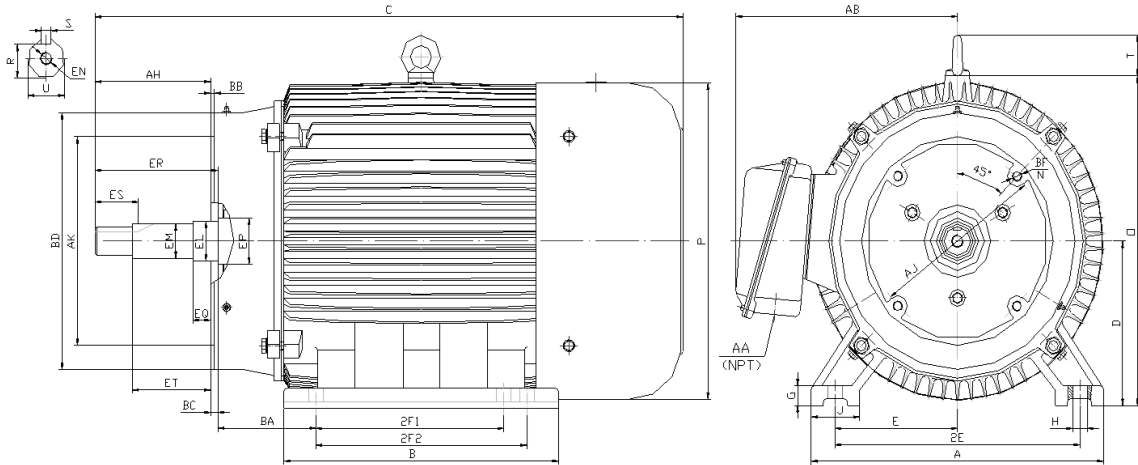
CLOSE COUPLED PUMP MOTORS

NEMA PREMIUM EFFICIENCY

THREE PHASE, TOTALLY ENCLOSED FAN COOLED, JP FRAME

INVERTER DUTY 10:1 CT; 20:1 VT - NEMA MG1 PART 31

Factory Certified for T2B Class I, Division II, Groups A,B,C & D and Class II, Division II, Groups F & G



DIMENSIONS

HP	RPM	Frame	MOUNTING														
			A	B	C	D	G	H	J	E	2E	2F1	2F2	O	P	T	BA
7.5	3600	213JP	11.00	7.90	24.65	5.25	0.70	0.41	2.40	4.25	8.50	5.50	NA	10.50	10.20	1.90	4.25

FLANGE							Shaft Extension, Key Set										
AK	AJ	AH	BB	BC	BD	N*BF	U	R	S	EQ	ER	ES	ET	EP	EL	EM	EN
8.500	7.25	8.156	0.312	0.25	9.00	4*1/2-13	1.2495	1.112	0.252	2.390	8.13	2.53	5.890	1.77	1.750	1.3750	1/2-13
8.497		8.094	0.250				1.2490	1.097	0.250	2.360			5.860		1.748	1.3745	

Conduit Box		Bearings		Mount
AA	AB	DE	ODE	
1.00	8.30	6309-ZZ	6308-ZZ	

BEARING LUBRICATION: The bearings come lubricated with Mobil Polyrex EM Polyurea Grease.





PE213JP-7.5-2

CLOSE COUPLED PUMP MOTORS

NEMA PREMIUM EFFICIENCY

THREE PHASE, TOTALLY ENCLOSED FAN COOLED, JP FRAME

INVERTER DUTY 10:1 CT; 20:1 VT - NEMA MG1 PART 31

Factory Certified for T2B Class I, Division II, Groups A,B,C & D and Class II, Division II, Groups F & G

PERFORMANCE DATA

HP	RPM	Frame	Voltage	Frequency (Hz)	Full Load S.F.	Insulation Class	NEMA Design	Slip (%)	NEMA Code	Enclosure Type	IP Rating	Max. Ambient
7.5	3530	213JP	208-230/460	60	1.15	F	B	1.9	H	TEFC	55	40° C

Amps (460V)		Efficiency (%)				Power Factor			Torque (ft-lb)			DE Bearing	ODE Bearing	Connection	Weight (lbs.)
FLA	LRA	100%	75%	50%	Min.	100%	75%	50%	FLT	LRT %	BDT %				
8.8	63.0	89.5	88.5	86.0	87.5	0.900	0.870	0.810	11.2	160	290	6309-ZZ	6308-ZZ	9 Lead 2Y/Y	160

NAME PLATE

													CONNECTION DIAGRAMS 208-230V 										
INVERTER DUTY 20:1 VT; 10:1 CT										CLOSE COUPLED PUMP MOTOR													
CAT NO:		PE213JP-7.5-2				FRAME		213JP		PHASE		3		460V 									
HZ		60		S.F.		1.15		HZ		50		S.F.					1.0		ENCL		TEFC		IP
HP		7.5		RPM		3530		HP		7.5		RPM		2920		DUTY		CONT		DES		B	
VOLTS				208-230/460				VOLTS				190/380				AMB		40° C		INS		F	
FLA		18.8 - 17.6 / 8.8				FLA				21/10.5				DE BEARING				6309-ZZ					
CODE		H		P.F.		0.90		CODE		E		P.F.		0.92		ODE BEARING				6308-ZZ			
EFF		89.5		MIN		87.5		EFF		87.5		MIN		85.5		LUB:				Mobil Polyrex EM			
MOTOR WEIGHT				160		LBS		CONNECTION				9 Lead 2Y/Y		SER NO									
Specifically designed for use on industrial and commercial pumping units. Hernando, Mississippi																CC 082A							

APPLICATIONS:

Specifically designed for use on industrial and commercial pumping units.