

PE326JM-50-4

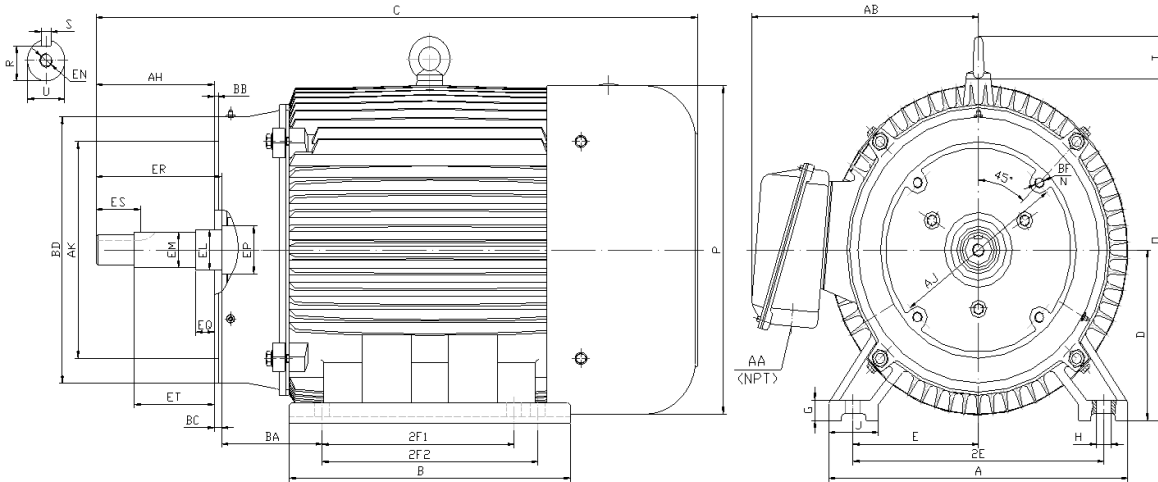
CLOSE COUPLED PUMP MOTORS

NEMA PREMIUM EFFICIENCY

THREE PHASE, TOTALLY ENCLOSED FAN COOLED, JM FRAME

INVERTER DUTY 10:1 CT; 20:1 VT - NEMA MG1 PART 31

Factory Certified for T2B Class I, Division II, Groups A,B,C & D and Class II, Division II, Groups F & G



DIMENSIONS

HP	RPM	Frame	MOUNTING														
			A	B	C	D	G	H	J	E	2E	2F1	2F2	O	P	T	BA
50	1800	326JM	15.50	14.70	31.55	8.00	1.00	0.66	2.75	6.25	12.50	10.50	12.00	15.90	15.70	2.60	5.25

FLANGE							Shaft Extension, Key Set										
AK	AJ	AH	BB	BC	BD	N*BF	U	R	S	EQ	ER	ES	ET	EP	EL	EM	EN
12.500	11.00	5.281	0.312	0.25	14.0	4*5/8-11	1.2495	1.112	0.252	0.645	5.25	2.53	3.020	2.36	1.750	1.3750	1/2-13
12.495		5.219	0.250				1.2490	1.097	0.250	0.605			2.980		1.748	1.3745	

Conduit Box		Bearings		Mount
AA	AB	DE	ODE	
2.00	12.30	6312	6312	F1

BEARING LUBRICATION: The bearings come lubricated with Mobil Polyrex EM Polyurea Grease.





PE326JM-50-4

CLOSE COUPLED PUMP MOTORS

NEMA PREMIUM EFFICIENCY

THREE PHASE, TOTALLY ENCLOSED FAN COOLED, JM FRAME

INVERTER DUTY 10:1 CT; 20:1 VT - NEMA MG1 PART 31

Factory Certified for T2B Class I, Division II, Groups A,B,C & D and Class II, Division II, Groups F & G

PERFORMANCE DATA

HP	RPM	Frame	Voltage	Frequency (Hz)	Full Load S.F.	Insulation Class	NEMA Design	Slip (%)	NEMA Code	Enclosure Type	IP Rating	Max. Ambient
50	1780	326JM	208-230/460	60	1.15	F	B	1.1	G	TEFC	55	40° C

Amps (460V)		Efficiency (%)				Power Factor			Torque (ft-lb)			DE Bearing	ODE Bearing	Connection	Weight (lbs.)
FLA	LRA	100%	75%	50%	Min.	100%	75%	50%	FLT	LRT %	BDT %				
58.3	362.0	94.5	94.5	94.6	93.6	0.830	0.790	0.700	148.4	160	255	6312	6312	12 Lead 2Δ/Δ	591

NAME PLATE

													CONNECTION DIAGRAMS 208-230V 			
INVERTER DUTY 20:1 VT; 10:1 CT										CLOSE COUPLED PUMP MOTOR						
CAT NO: PE326JM-50-4			FRAME 326JM			PHASE 3										
HZ 60	S.F. 1.15	HZ 50	S.F. 1.0	ENCL TEFC	IP 55											
HP 50	RPM 1780	HP 50	RPM 1475	DUTY CONT	DES B											
VOLTS 208-230/460			VOLTS 190/380			AMB 40° C			INS F							
FLA 124 - 116.6 / 58.3	FLA 143/71.5			DE BEARING 6312												
CODE G	P.F. 0.83	CODE F	P.F. 0.85	ODE BEARING 6312												
EFF 94.5	MIN 93.6	EFF 93	MIN 91.8	LUB: Mobil Polyrex EM												
MOTOR WEIGHT 591 LBS		CONNECTION 12 Lead 2Δ/Δ			SER NO											
Specifically designed for use on industrial and commercial pumping units. Hernando, Mississippi										CC 082A			460V 			

APPLICATIONS:

Specifically designed for use on industrial and commercial pumping units.