

PE326JM-50-2

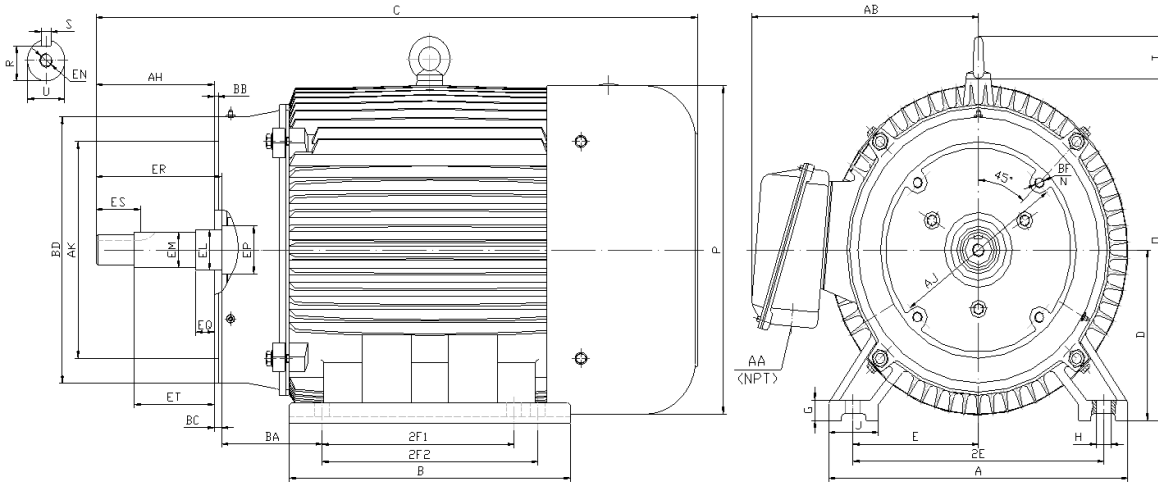
CLOSE COUPLED PUMP MOTORS

NEMA PREMIUM EFFICIENCY

THREE PHASE, TOTALLY ENCLOSED FAN COOLED, JM FRAME

INVERTER DUTY 10:1 CT; 20:1 VT - NEMA MG1 PART 31

Factory Certified for T2B Class I, Division II, Groups A,B,C & D and Class II, Division II, Groups F & G



DIMENSIONS

HP	RPM	Frame	MOUNTING														
			A	B	C	D	G	H	J	E	2E	2F1	2F2	O	P	T	BA
50	3600	326JM	15.50	14.70	31.55	8.00	1.00	0.66	2.75	6.25	12.50	10.50	12.00	15.90	15.70	2.60	5.25

FLANGE							Shaft Extension, Key Set										
AK	AJ	AH	BB	BC	BD	N*BF	U	R	S	EQ	ER	ES	ET	EP	EL	EM	EN
12.500	11.00	5.281	0.312	0.25	14.0	4*5/8-11	1.2495	1.112	0.252	0.645	5.25	2.53	3.020	2.36	1.750	1.3750	1/2-13
12.495		5.219	0.250				1.2490	1.097	0.250	0.605			2.980		1.748	1.3745	

Conduit Box		Bearings		Mount
AA	AB	DE	ODE	
2.00	12.30	6312	6312	

BEARING LUBRICATION: The bearings come lubricated with Mobil Polyrex EM Polyurea Grease.





PE326JM-50-2

CLOSE COUPLED PUMP MOTORS

NEMA PREMIUM EFFICIENCY

THREE PHASE, TOTALLY ENCLOSED FAN COOLED, JM FRAME

INVERTER DUTY 10:1 CT; 20:1 VT - NEMA MG1 PART 31

Factory Certified for T2B Class I, Division II, Groups A,B,C & D and Class II, Division II, Groups F & G

PERFORMANCE DATA

HP	RPM	Frame	Voltage	Frequency (Hz)	Full Load S.F.	Insulation Class	NEMA Design	Slip (%)	NEMA Code	Enclosure Type	IP Rating	Max. Ambient
50	3545	326JM	208-230/460	60	1.15	F	B	1.5	G	TEFC	55	40° C

Amps (460V)		Efficiency (%)				Power Factor			Torque (ft-lb)			DE Bearing	ODE Bearing	Connection	Weight (lbs.)
FLA	LRA	100%	75%	50%	Min.	100%	75%	50%	FLT	LRT %	BDT %				
58.1	362.0	93.0	92.1	91.4	91.7	0.910	0.880	0.810	73.9	140	250	6312	6312	12 Lead 2Δ/Δ	568

NAME PLATE

				INVERTER DUTY 20:1 VT; 10:1 CT		CLOSE COUPLED PUMP MOTOR		CONNECTION DIAGRAMS		
CAT NO: PE326JM-50-2		FRAME 326JM		PHASE 3		208-230V				
HZ 60	S.F. 1.15	HZ 50	S.F. 1.0	ENCL TEFC	IP 55					
HP 50	RPM 3545	HP 50	RPM 2930	DUTY CONT	DES B					
VOLTS 208-230/460		VOLTS 190/380		AMB 40° C	INS F					
FLA 124 - 116.2 / 58.1	FLA 134/67		DE BEARING 6312							
CODE G	P.F. 0.91	CODE F	P.F. 0.92	ODE BEARING 6312						
EFF 93.0	MIN 91.7	EFF 91.3	MIN 90.0	LUB: Mobil Polyrex EM						
MOTOR WEIGHT 568 LBS	CONNECTION 12 Lead 2Δ/Δ		SER NO							
Specifically designed for use on industrial and commercial pumping units.										
Hernando, Mississippi						CC 082A				

APPLICATIONS:

Specifically designed for use on industrial and commercial pumping units.