

**PE324JM-40-2**

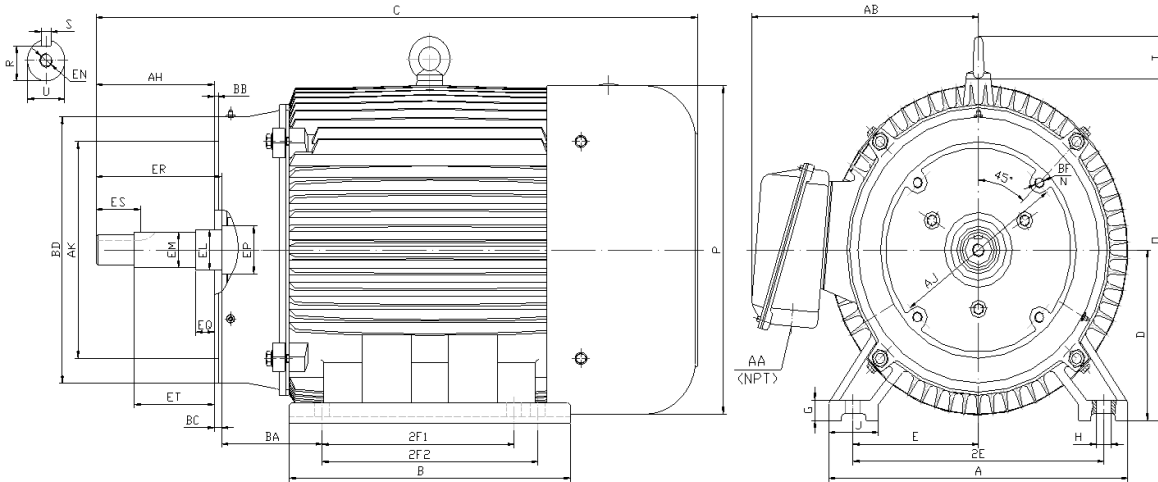
**CLOSE COUPLED PUMP MOTORS**

**NEMA PREMIUM EFFICIENCY**

**THREE PHASE, TOTALLY ENCLOSED FAN COOLED, JM FRAME**

**INVERTER DUTY 10:1 CT; 20:1 VT - NEMA MG1 PART 31**

Factory Certified for T2B Class I, Division II, Groups A,B,C & D and Class II, Division II, Groups F & G



**DIMENSIONS**

| HP | RPM  | Frame | MOUNTING |       |       |      |      |      |      |      |       |       |     |       |       |      |      |
|----|------|-------|----------|-------|-------|------|------|------|------|------|-------|-------|-----|-------|-------|------|------|
|    |      |       | A        | B     | C     | D    | G    | H    | J    | E    | 2E    | 2F1   | 2F2 | O     | P     | T    | BA   |
| 40 | 3600 | 324JM | 15.50    | 14.70 | 30.05 | 8.00 | 1.00 | 0.66 | 2.75 | 6.25 | 12.50 | 10.50 | NA  | 15.90 | 15.70 | 2.60 | 5.25 |

| FLANGE |       |       |       |      |      |          | Shaft Extension, Key Set |       |       |       |      |      |       |      |       |        |        |
|--------|-------|-------|-------|------|------|----------|--------------------------|-------|-------|-------|------|------|-------|------|-------|--------|--------|
| AK     | AJ    | AH    | BB    | BC   | BD   | N*BF     | U                        | R     | S     | EQ    | ER   | ES   | ET    | EP   | EL    | EM     | EN     |
| 12.500 | 11.00 | 5.281 | 0.312 | 0.25 | 14.0 | 4*5/8-11 | 1.2495                   | 1.112 | 0.252 | 0.645 | 5.25 | 2.53 | 3.020 | 2.36 | 1.750 | 1.3750 | 1/2-13 |
| 12.495 |       | 5.219 | 0.250 |      |      |          | 1.2490                   | 1.097 | 0.250 | 0.605 |      |      | 2.980 |      | 1.748 | 1.3745 |        |

| Conduit Box |       | Bearings |      | Mount |
|-------------|-------|----------|------|-------|
| AA          | AB    | DE       | ODE  |       |
| 2.00        | 12.30 | 6312     | 6312 |       |

**BEARING LUBRICATION:** The bearings come lubricated with Mobil Polyrex EM Polyurea Grease.





## PE324JM-40-2

**CLOSE COUPLED PUMP MOTORS**

**NEMA PREMIUM EFFICIENCY**

**THREE PHASE, TOTALLY ENCLOSED FAN COOLED, JM FRAME**

**INVERTER DUTY 10:1 CT; 20:1 VT - NEMA MG1 PART 31**

Factory Certified for T2B Class I, Division II, Groups A,B,C & D and Class II, Division II, Groups F & G

### PERFORMANCE DATA

| HP | RPM  | Frame | Voltage     | Frequency (Hz) | Full Load S.F. | Insulation Class | NEMA Design | Slip (%) | NEMA Code | Enclosure Type | IP Rating | Max. Ambient |
|----|------|-------|-------------|----------------|----------------|------------------|-------------|----------|-----------|----------------|-----------|--------------|
| 40 | 3545 | 324JM | 208-230/460 | 60             | 1.15           | F                | B           | 1.5      | G         | TEFC           | 55        | 40° C        |

| Amps (460V) |       | Efficiency (%) |      |      |      | Power Factor |       |       | Torque (ft-lb) |       |       | DE Bearing | ODE Bearing | Connection   | Weight (lbs.) |
|-------------|-------|----------------|------|------|------|--------------|-------|-------|----------------|-------|-------|------------|-------------|--------------|---------------|
| FLA         | LRA   | 100%           | 75%  | 50%  | Min. | 100%         | 75%   | 50%   | FLT            | LRT % | BDT % |            |             |              |               |
| 45.5        | 290.0 | 92.4           | 92.0 | 91.0 | 91.0 | 0.900        | 0.880 | 0.830 | 59.2           | 140   | 250   | 6312       | 6312        | 12 Lead 2Δ/Δ | 539           |

### NAME PLATE

|  |            |                         |           |                       |       |       |  |         |         |                                 |  |          |                            |  |  |
|--|------------|-------------------------|-----------|-----------------------|-------|-------|--|---------|---------|---------------------------------|--|----------|----------------------------|--|--|
|  |            |                         |           |                       |       |       |  |         |         |                                 |  |          | <b>CONNECTION DIAGRAMS</b> |  |  |
| <b>INVERTER DUTY 20:1 VT; 10:1 CT</b>  |            |                         |           |                       |       |       |  |         |         | <b>CLOSE COUPLED PUMP MOTOR</b> |  |          |                            |  |  |
| CAT NO: PE324JM-40-2   |            |                         |           | FRAME 324JM           |       |       |  | PHASE 3 |         |                                 |  | 208-230V |                            |  |  |
| HZ 60  | S.F. 1.15  | HZ 50                   | S.F. 1.0  | ENCL TEFC             | IP 55 |       |  |         |         |                                 |  |          |                            |  |  |
| HP 40  | RPM 3545   | HP 40                   | RPM 2935  | DUTY CONT             | DES B |       |  |         |         |                                 |  |          |                            |  |  |
| VOLTS 208-230/460  |            | VOLTS 190/380           |           | AMB 40° C             |       | INS F |  |         |         |                                 |  |          |                            |  |  |
| FLA 94.9 - 91 / 45.5   | FLA 110/55 |                         |           | DE BEARING 6312       |       |       |  |         |         |                                 |  |          |                            |  |  |
| CODE G   | P.F. 0.90  | CODE F                  | P.F. 0.91 | ODE BEARING 6312      |       |       |  |         |         |                                 |  |          |                            |  |  |
| EFF 92.4   | MIN 91.0   | EFF 90.7                | MIN 89.3  | LUB: Mobil Polyrex EM |       |       |  |         |         |                                 |  |          |                            |  |  |
| MOTOR WEIGHT 539 LBS   |            | CONNECTION 12 Lead 2Δ/Δ |           | SER NO                |       |       |  | 460V    |         |                                 |  |          |                            |  |  |
| Specifically designed for use on industrial and commercial pumping units.<br>Hernando, Mississippi |            |                         |           |                       |       |       |  |         |         |                                 |  |          |                            |  |  |
|  |            |                         |           |                       |       |       |  |         | CC 082A |                                 |  |          |                            |  |  |

### APPLICATIONS:

Specifically designed for use on industrial and commercial pumping units.