

**PE286JM-40-2**

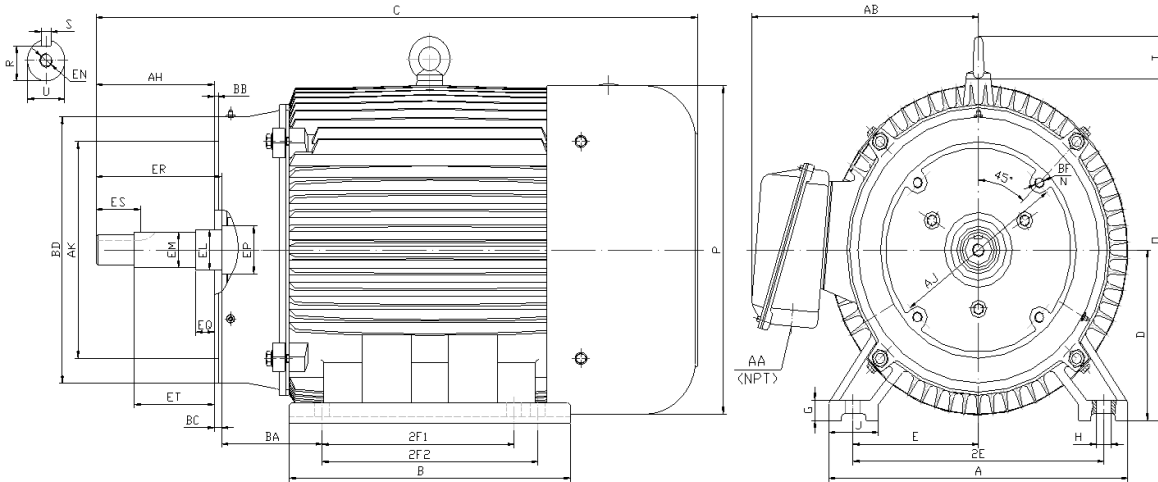
**CLOSE COUPLED PUMP MOTORS**

**NEMA PREMIUM EFFICIENCY**

**THREE PHASE, TOTALLY ENCLOSED FAN COOLED, JM FRAME**

**INVERTER DUTY 10:1 CT; 20:1 VT - NEMA MG1 PART 31**

Factory Certified for T2B Class I, Division II, Groups A,B,C & D and Class II, Division II, Groups F & G



**DIMENSIONS**

HP	RPM	Frame	MOUNTING														
			A	B	C	D	G	H	J	E	2E	2F1	2F2	O	P	T	BA
40	3600	286JM	14.00	13.20	28.97	7.00	0.85	0.53	2.75	5.50	11.00	9.50	11.00	14.50	14.00	2.20	4.75

FLANGE							Shaft Extension, Key Set										
AK	AJ	AH	BB	BC	BD	N*BF	U	R	S	EQ	ER	ES	ET	EP	EL	EM	EN
12.500	11.00	5.281	0.312	0.25	14.0	4*5/8-11	1.2495	1.112	0.252	0.645	5.25	2.53	3.020	2.16	1.750	1.3750	1/2-13
12.495		5.219	0.250				1.2490	1.097	0.250	0.605			2.980		1.748	1.3745	

Conduit Box		Bearings		Mount
AA	AB	DE	ODE	
1.50	11.30	6311	6311	F1

**BEARING LUBRICATION:** The bearings come lubricated with Mobil Polyrex EM Polyurea Grease.





## PE286JM-40-2

**CLOSE COUPLED PUMP MOTORS**

**NEMA PREMIUM EFFICIENCY**

**THREE PHASE, TOTALLY ENCLOSED FAN COOLED, JM FRAME**

**INVERTER DUTY 10:1 CT; 20:1 VT - NEMA MG1 PART 31**

Factory Certified for T2B Class I, Division II, Groups A,B,C & D and Class II, Division II, Groups F & G

### PERFORMANCE DATA

HP	RPM	Frame	Voltage	Frequency (Hz)	Full Load S.F.	Insulation Class	NEMA Design	Slip (%)	NEMA Code	Enclosure Type	IP Rating	Max. Ambient
40	3540	286JM	208-230/460	60	1.15	F	B	1.7	G	TEFC	55	40° C

Amps (460V)		Efficiency (%)				Power Factor			Torque (ft-lb)			DE Bearing	ODE Bearing	Connection	Weight (lbs.)
FLA	LRA	100%	75%	50%	Min.	100%	75%	50%	FLT	LRT %	BDT %				
44.5	290.0	92.4	92.0	91.0	91.0	0.910	0.860	0.780	59.2	180	290	6311	6311	12 Lead 2Δ/Δ	417

### NAME PLATE

				<b>INVERTER DUTY 20:1 VT; 10:1 CT</b>		<b>CLOSE COUPLED PUMP MOTOR</b>		<b>CONNECTION DIAGRAMS</b>			
CAT NO: PE286JM-40-2		FRAME 286JM		PHASE 3		208-230V					
HZ 60	S.F. 1.15	HZ 50	S.F. 1.0	ENCL TEFC	IP 55	460V					
HP 40	RPM 3540	HP 40	RPM 2925	DUTY CONT	DES B						
VOLTS 208-230/460		VOLTS 190/380		AMB 40° C	INS F						
FLA 95 - 89 / 44.5	FLA 110/55		DE BEARING 6311								
CODE G	P.F. 0.91	CODE F	P.F. 0.92	ODE BEARING 6311							
EFF 92.4	MIN 91.0	EFF 90.7	MIN 89.3	LUB: Mobil Polyrex EM							
MOTOR WEIGHT 417 LBS		CONNECTION 12 Lead 2Δ/Δ		SER NO							
Specifically designed for use on industrial and commercial pumping units.								CC 082A			
Hernando, Mississippi											

### APPLICATIONS:

Specifically designed for use on industrial and commercial pumping units.