

**PE286JM-30-4**

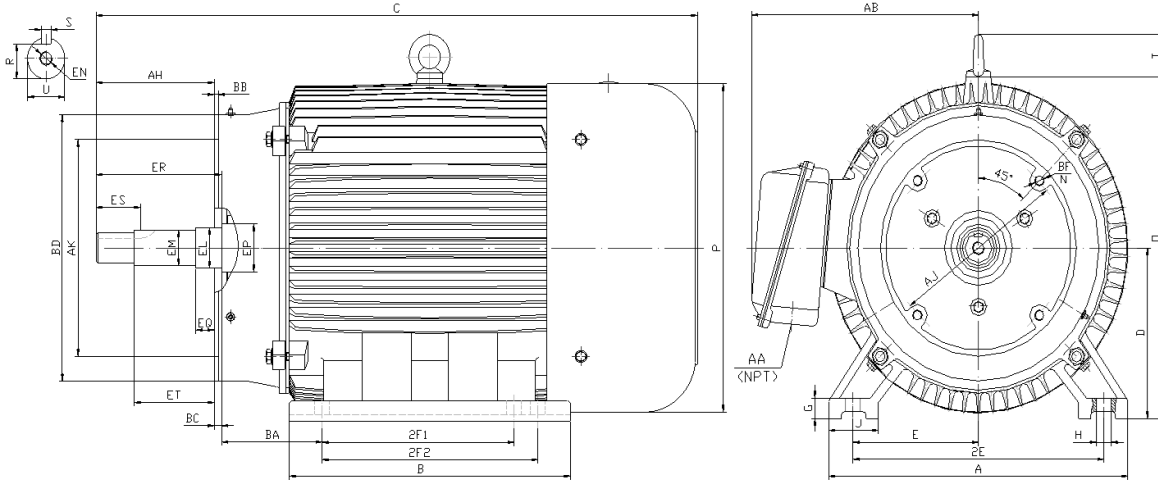
**CLOSE COUPLED PUMP MOTORS**

**NEMA PREMIUM EFFICIENCY**

**THREE PHASE, TOTALLY ENCLOSED FAN COOLED, JM FRAME**

**INVERTER DUTY 10:1 CT; 20:1 VT - NEMA MG1 PART 31**

Factory Certified for T2B Class I, Division II, Groups A,B,C & D and Class II, Division II, Groups F & G



**DIMENSIONS**

HP	RPM	Frame	MOUNTING														
			A	B	C	D	G	H	J	E	2E	2F1	2F2	O	P	T	BA
30	1800	286JM	14.00	13.20	28.97	7.00	0.85	0.53	2.75	5.50	11.00	9.50	11.00	14.50	14.00	2.20	4.75

FLANGE							Shaft Extension, Key Set										
AK	AJ	AH	BB	BC	BD	N*BF	U	R	S	EQ	ER	ES	ET	EP	EL	EM	EN
12.500	11.00	5.281	0.312	0.25	14.0	4*5/8-11	1.2495	1.112	0.252	0.645	5.25	2.53	3.020	2.16	1.750	1.3750	1/2-13
12.495		5.219	0.250				1.2490	1.097	0.250	0.605			2.980		1.748	1.3745	

Conduit Box		Bearings		Mount
AA	AB	DE	ODE	
1.50	11.30	6311	6311	

**BEARING LUBRICATION:** The bearings come lubricated with Mobil Polyrex EM Polyurea Grease.





## PE286JM-30-4

**CLOSE COUPLED PUMP MOTORS**

**NEMA PREMIUM EFFICIENCY**

**THREE PHASE, TOTALLY ENCLOSED FAN COOLED, JM FRAME**

**INVERTER DUTY 10:1 CT; 20:1 VT - NEMA MG1 PART 31**

Factory Certified for T2B Class I, Division II, Groups A,B,C & D and Class II, Division II, Groups F & G

### PERFORMANCE DATA

HP	RPM	Frame	Voltage	Frequency (Hz)	Full Load S.F.	Insulation Class	NEMA Design	Slip (%)	NEMA Code	Enclosure Type	IP Rating	Max. Ambient
30	1775	286JM	208-230/460	60	1.15	F	B	1.4	G	TEFC	55	40° C

Amps (460V)		Efficiency (%)				Power Factor			Torque (ft-lb)			DE Bearing	ODE Bearing	Connection	Weight (lbs.)
FLA	LRA	100%	75%	50%	Min.	100%	75%	50%	FLT	LRT %	BDT %				
35.3	217.0	93.6	93.6	93.0	92.4	0.840	0.810	0.710	89.1	160	250	6311	6311	12 Lead 2Δ/Δ	429

### NAME PLATE

													<b>CONNECTION DIAGRAMS</b>				
<b>INVERTER DUTY 20:1 VT; 10:1 CT</b>										<b>CLOSE COUPLED PUMP MOTOR</b>			<b>208-230V</b>				
CAT NO: PE286JM-30-4			FRAME 286JM			PHASE 3											
HZ 60	S.F. 1.15	HZ 50	S.F. 1.0	ENCL TEFC	IP 55	HP 30	RPM 1775	HP 30	RPM 1465	DUTY CONT	DES B						
VOLTS 208-230/460			VOLTS 190/380			AMB 40° C			INS F								
FLA 76 - 70.6 / 35.3	FLA 86/43			DE BEARING 6311													
CODE G	P.F. 0.84	CODE F	P.F. 0.86	ODE BEARING 6311													
EFF 93.6	MIN 92.4	EFF 92.2	MIN 91.0	LUB: Mobil Polyrex EM													
MOTOR WEIGHT 429 LBS			CONNECTION 12 Lead 2Δ/Δ			SER NO											
Specifically designed for use on industrial and commercial pumping units. Hernando, Mississippi										CC 082A							

### APPLICATIONS:

Specifically designed for use on industrial and commercial pumping units.