

PE284JM-25-4

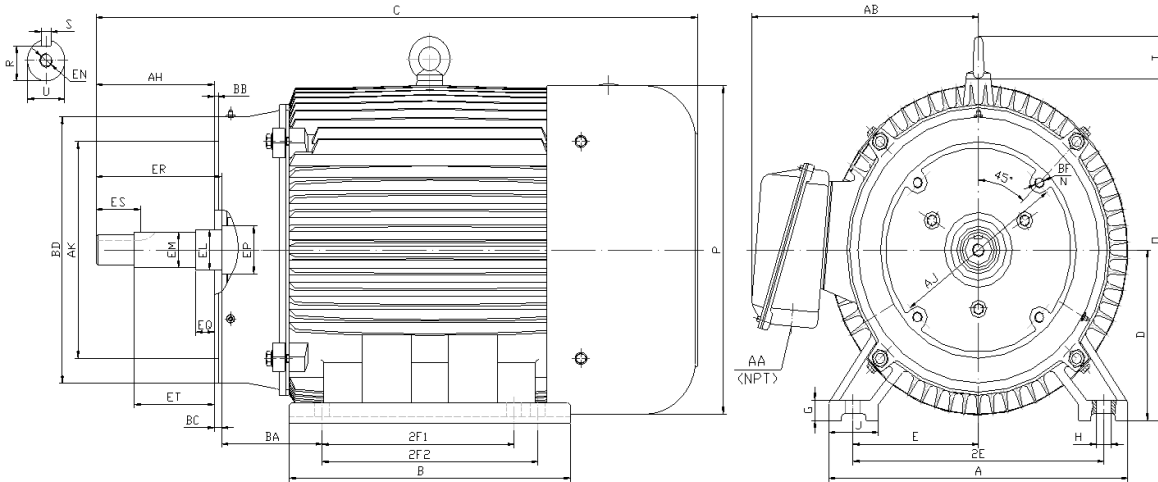
CLOSE COUPLED PUMP MOTORS

NEMA PREMIUM EFFICIENCY

THREE PHASE, TOTALLY ENCLOSED FAN COOLED, JM FRAME

INVERTER DUTY 10:1 CT; 20:1 VT - NEMA MG1 PART 31

Factory Certified for T2B Class I, Division II, Groups A,B,C & D and Class II, Division II, Groups F & G



DIMENSIONS

HP	RPM	Frame	MOUNTING														
			A	B	C	D	G	H	J	E	2E	2F1	2F2	O	P	T	BA
25	1800	284JM	14.00	13.20	27.47	7.00	0.85	0.53	2.75	5.50	11.00	9.50	NA	14.50	14.00	2.20	4.75

FLANGE							Shaft Extension, Key Set										
AK	AJ	AH	BB	BC	BD	N*BF	U	R	S	EQ	ER	ES	ET	EP	EL	EM	EN
12.500	11.00	5.281	0.312	0.25	14.0	4*5/8-11	1.2495	1.112	0.252	0.645	5.25	2.53	3.020	2.16	1.750	1.3750	1/2-13
12.495		5.219	0.250				1.2490	1.097	0.250	0.605			2.980		1.748	1.3745	

Conduit Box		Bearings		Mount
AA	AB	DE	ODE	
1.50	11.30	6311	6311	

BEARING LUBRICATION: The bearings come lubricated with Mobil Polyrex EM Polyurea Grease.





PE284JM-25-4

CLOSE COUPLED PUMP MOTORS

NEMA PREMIUM EFFICIENCY

THREE PHASE, TOTALLY ENCLOSED FAN COOLED, JM FRAME

INVERTER DUTY 10:1 CT; 20:1 VT - NEMA MG1 PART 31

Factory Certified for T2B Class I, Division II, Groups A,B,C & D and Class II, Division II, Groups F & G

PERFORMANCE DATA

HP	RPM	Frame	Voltage	Frequency (Hz)	Full Load S.F.	Insulation Class	NEMA Design	Slip (%)	NEMA Code	Enclosure Type	IP Rating	Max. Ambient
25	1775	284JM	208-230/460	60	1.15	F	B	1.4	G	TEFC	55	40° C

Amps (460V)		Efficiency (%)				Power Factor			Torque (ft-lb)			DE Bearing	ODE Bearing	Connection	Weight (lbs.)
FLA	LRA	100%	75%	50%	Min.	100%	75%	50%	FLT	LRT %	BDT %				
30.0	182.0	93.6	93.6	93.0	92.4	0.840	0.810	0.720	74.3	160	255	6311	6311	12 Lead 2Δ/Δ	369

NAME PLATE

													CONNECTION DIAGRAMS 208-230V 		
INVERTER DUTY 20:1 VT; 10:1 CT										CLOSE COUPLED PUMP MOTOR					
CAT NO: PE284JM-25-4			FRAME 284JM			PHASE 3									
HZ 60	S.F. 1.15	HZ 50	S.F. 1.0	ENCL TEFC	IP 55										
HP 25	RPM 1775	HP 25	RPM 1465	DUTY CONT	DES B										
VOLTS 208-230/460			VOLTS 190/380			AMB 40° C			INS F						
FLA 65 - 60 / 30			FLA 72/36			DE BEARING 6311									
CODE G			P.F. 0.84			CODE F			P.F. 0.86			ODE BEARING 6311			
EFF 93.6			MIN 92.4			EFF 92.3			MIN 91.1			LUB: Mobil Polyrex EM			
MOTOR WEIGHT 369 LBS			CONNECTION 12 Lead 2Δ/Δ			SER NO									
Specifically designed for use on industrial and commercial pumping units. Hernando, Mississippi										CC 082A			460V 		

APPLICATIONS:

Specifically designed for use on industrial and commercial pumping units.