

PE256JM-25-2

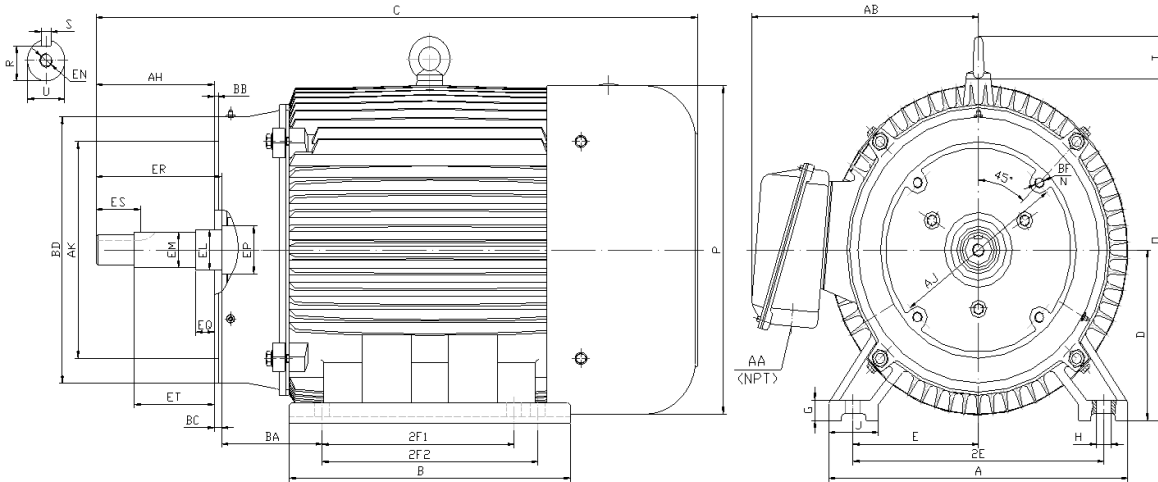
CLOSE COUPLED PUMP MOTORS

NEMA PREMIUM EFFICIENCY

THREE PHASE, TOTALLY ENCLOSED FAN COOLED, JM FRAME

INVERTER DUTY 10:1 CT; 20:1 VT - NEMA MG1 PART 31

Factory Certified for T2B Class I, Division II, Groups A,B,C & D and Class II, Division II, Groups F & G



DIMENSIONS

HP	RPM	Frame	MOUNTING														
			A	B	C	D	G	H	J	E	2E	2F1	2F2	O	P	T	BA
25	3600	256JM	13.00	12.20	26.50	6.25	0.70	0.53	2.75	5.00	10.00	8.25	10.00	13.00	12.40	2.20	4.75

FLANGE							Shaft Extension, Key Set										
AK	AJ	AH	BB	BC	BD	N*BF	U	R	S	EQ	ER	ES	ET	EP	EL	EM	EN
8.500	7.25	5.281	0.312	0.25	10.0	4*1/2-13	1.2495	1.112	0.252	0.640	5.25	2.53	3.015	1.77	1.750	1.3750	1/2-13
8.497		5.219	0.250				1.2490	1.097	0.250	0.610			2.985		1.748	1.3745	

Conduit Box		Bearings		Mount
AA	AB	DE	ODE	
1.25	10.10	6309	6309	

BEARING LUBRICATION: The bearings come lubricated with Mobil Polyrex EM Polyurea Grease.





PE256JM-25-2

CLOSE COUPLED PUMP MOTORS

NEMA PREMIUM EFFICIENCY

THREE PHASE, TOTALLY ENCLOSED FAN COOLED, JM FRAME

INVERTER DUTY 10:1 CT; 20:1 VT - NEMA MG1 PART 31

Factory Certified for T2B Class I, Division II, Groups A,B,C & D and Class II, Division II, Groups F & G

PERFORMANCE DATA

HP	RPM	Frame	Voltage	Frequency (Hz)	Full Load S.F.	Insulation Class	NEMA Design	Slip (%)	NEMA Code	Enclosure Type	IP Rating	Max. Ambient
25	3535	256JM	208-230/460	60	1.15	F	B	1.8	G	TEFC	55	40° C

Amps (460V)		Efficiency (%)				Power Factor			Torque (ft-lb)			DE Bearing	ODE Bearing	Connection	Weight (lbs.)
FLA	LRA	100%	75%	50%	Min.	100%	75%	50%	FLT	LRT %	BDT %				
28.0	182.0	91.7	91.7	91.0	90.2	0.910	0.880	0.820	37.2	160	260	6309	6309	12 Lead 2Δ/Δ	326

NAME PLATE

													CONNECTION DIAGRAMS 208-230V 				
INVERTER DUTY 20:1 VT; 10:1 CT										CLOSE COUPLED PUMP MOTOR							
CAT NO: PE256JM-25-2			FRAME 256JM			PHASE 3											
HZ 60	S.F. 1.15	HZ 50	S.F. 1.0	ENCL TEFC	IP 55												
HP 25	RPM 3535	HP 25	RPM 2915	DUTY CONT	DES B												
VOLTS 208-230/460			VOLTS 190/380			AMB 40° C			INS F								
FLA 60 - 56 / 28			FLA 71/35.5			DE BEARING 6309											
CODE G		P.F. 0.91		CODE F		P.F. 0.92		ODE BEARING 6309									
EFF 91.7		MIN 90.2		EFF 90		MIN 88.5		LUB: Mobil Polyrex EM									
MOTOR WEIGHT 326 LBS			CONNECTION 12 Lead 2Δ/Δ			SER NO						460V 					
Specifically designed for use on industrial and commercial pumping units. Hernando, Mississippi																CC 082A	

APPLICATIONS:

Specifically designed for use on industrial and commercial pumping units.