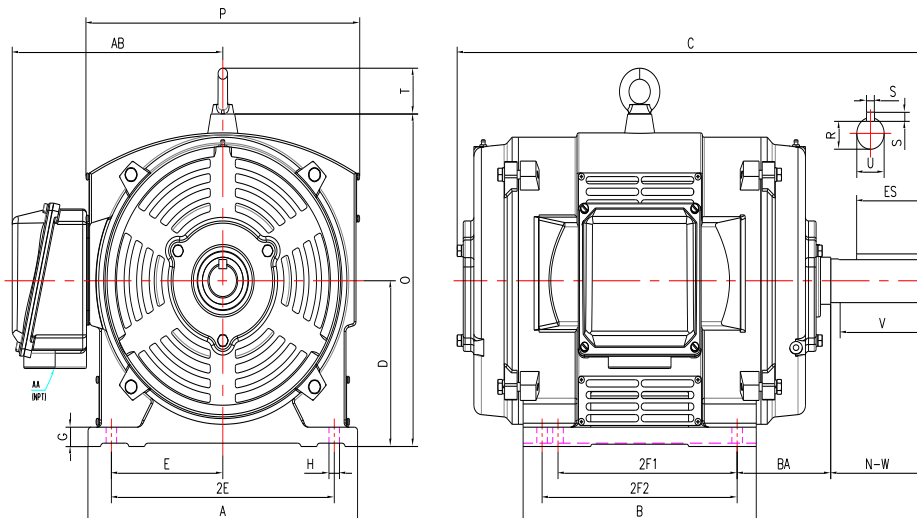


PE449T-300-4-ODP

GENERAL PURPOSE ELECTRIC MOTOR
 NEMA PREMIUM EFFICIENCY
 CAST IRON CONSTRUCTION - OPEN DRIP PROOF
 INVERTER DUTY 10:1 CT; 20:1 VT - NEMA MG1 PART 31



DIMENSIONS

HP	RPM	Frame	MOUNTING														
			A	B	C	D	G	H	J	E	2E	2F1	2F2	O	P	T	BA
300	1800	449T	22.30	28.75	48.00	11.00	1.15	0.81	NA	9.00	18.00	NA	25.00	22.60	23.30	3.00	7.50

Shaft Extension, Key Set						Conduit Box		Bearings		Mount
U	V	R	S	ES	N-W	AA	AB	DE	ODE	
3.38	8.25	2.88	0.88	6.91	8.50	3.00	18.90	NU319	6318	F1

BEARING LUBRICATION: The bearings come lubricated with Mobil Polyrex EM Polyurea Grease. It is recommended that you add some additional lubrication when the motor is installed.

Three options (brands) for suitable lubrication include, but are not limited to, the following:

- 1.) Mobil Polyrex EM
- 2.) Citco Polyurea MP
- 3.) Conoco Phillips Polytac EP





PE449T-300-4-ODP

**GENERAL PURPOSE ELECTRIC MOTOR
 NEMA PREMIUM EFFICIENCY
 CAST IRON CONSTRUCTION - OPEN DRIP PROOF
 INVERTER DUTY 10:1 CT; 20:1 VT - NEMA MG1 PART 31**

PERFORMANCE DATA

HP	RPM	Frame	Voltage	Frequency (Hz)	Full Load S.F.	Insulation Class	NEMA Design	Slip (%)	NEMA Code	Enclosure Type	IP Rating	Max. Ambient
300	1790	449T	460	60	1.15	F	B	0.56	G	ODP	23	40° C

Amps (460V)		Efficiency (%)				Power Factor			Torque (ft-lb)			DE Bearing	ODE Bearing	Connection	Weight (lbs.)
FLA	LRA	100%	75%	50%	Min.	100%	75%	50%	FLT	LRT %	BDT %	NU319	6318	6 Lead Δ	2218
335	2200	95.8	96.0	95.6	95.0	0.87	0.86	0.80	885.4	140	245				

NAME PLATE

										CONNECTION DIAGRAMS (460V)					
INVERTER DUTY 20:1 VT; 10:1 CT										Across The Line 					
CAT NO:		PE449T-300-4-ODP			FRAME		449T		PHASE		3		PWS Start 		
HZ	60	S.F.	1.15	HZ	50	S.F.	1.0	ENCL	ODP	IP	23	PWS Run 			
HP	300	RPM	1790	HP	300	RPM	1488	DUTY	CONT	DES	B				
VOLTS		460			VOLTS		380		AMB	40° C	INS	F			
FLA		335.0			FLA		411		DE BEARING		NU319				
CODE	G	P.F.	0.87	CODE	D	P.F.	0.87	ODE BEARING		6318					
EFF	95.8	MIN	95.0	EFF	95	MIN	94.2	LUB:		Mobil Polyrex EM					
MOTOR WEIGHT	2218	LBS	CONNECTION		6 Lead Δ			SER NO							
General purpose use on industrial machinery installed in environments with minimal dirt and moisture. ISO9001 CERTIFIED CE SP US cc.082A Hernando, Mississippi															

APPLICATIONS:

General purpose use on pumps, fans, blowers, compressors, conveyors, material handling and other industrial machinery installed in environments with minimal dirt and moisture.