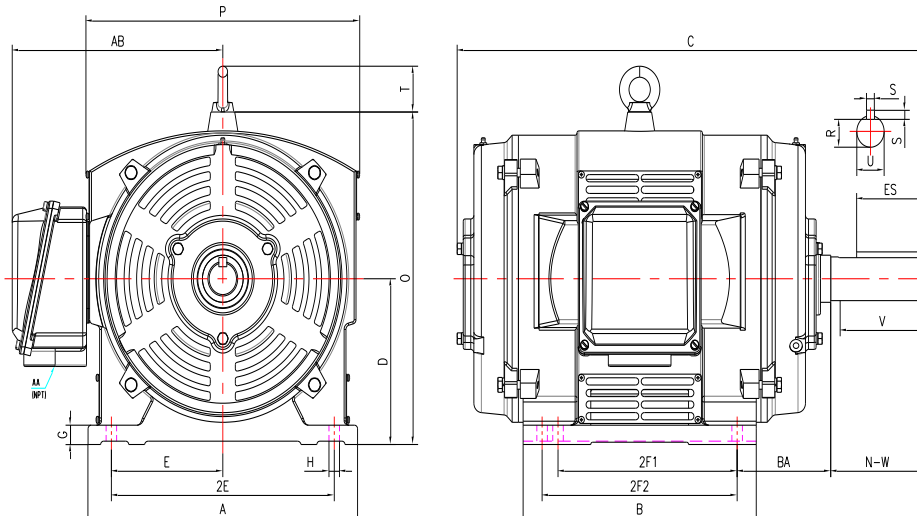


**PE447T-250-4-ODP**

**GENERAL PURPOSE ELECTRIC MOTOR**  
**NEMA PREMIUM EFFICIENCY**  
**CAST IRON CONSTRUCTION - OPEN DRIP PROOF**  
**INVERTER DUTY 10:1 CT; 20:1 VT - NEMA MG1 PART 31**



**DIMENSIONS**

HP	RPM	Frame	MOUNTING														
			A	B	C	D	G	H	J	E	2E	2F1	2F2	O	P	T	BA
250	1800	447T	22.30	24.00	43.00	11.00	1.15	0.81	NA	9.00	18.00	NA	20.00	22.60	23.30	3.00	7.50

Shaft Extension, Key Set						Conduit Box		Bearings		Mount
U	V	R	S	ES	N-W	AA	AB	DE	ODE	
3.38	8.25	2.88	0.88	6.91	8.50	3.00	18.90	NU319	6318	F1

**BEARING LUBRICATION:** The bearings come lubricated with Mobil Polyrex EM Polyurea Grease. It is recommended that you add some additional lubrication when the motor is installed.

Three options (brands) for suitable lubrication include, but are not limited to, the following:

- 1.) Mobil Polyrex EM
- 2.) Citco Polyurea MP
- 3.) Conoco Phillips Polytac EP





**PE447T-250-4-ODP**

**GENERAL PURPOSE ELECTRIC MOTOR  
 NEMA PREMIUM EFFICIENCY  
 CAST IRON CONSTRUCTION - OPEN DRIP PROOF  
 INVERTER DUTY 10:1 CT; 20:1 VT - NEMA MG1 PART 31**

**PERFORMANCE DATA**

HP	RPM	Frame	Voltage	Frequency (Hz)	Full Load S.F.	Insulation Class	NEMA Design	Slip (%)	NEMA Code	Enclosure Type	IP Rating	Max. Ambient
250	1790	447T	460	60	1.15	F	B	0.56	G	ODP	23	40° C

Amps (460V)		Efficiency (%)				Power Factor			Torque (ft-lb)			DE Bearing	ODE Bearing	Connection	Weight (lbs.)
FLA	LRA	100%	75%	50%	Min.	100%	75%	50%	FLT	LRT %	BDT %	NU319	6318	6 Lead Δ	1930
280	1825	95.8	96.0	95.3	95.0	0.87	0.86	0.80	737.8	140	250				

**NAME PLATE**

										<b>CONNECTION DIAGRAMS (460V)</b>					
<b>INVERTER DUTY 20:1 VT; 10:1 CT</b>										<b>Across The Line</b> 					
CAT NO:		PE447T-250-4-ODP			FRAME		447T		PHASE		3		<b>PWS Start</b> 		
HZ	60	S.F.	1.15	HZ	50	S.F.	1.0	ENCL	ODP	IP	23	<b>PWS Run</b> 			
HP	250	RPM	1790	HP	250	RPM	1488	DUTY	CONT	DES	B				
VOLTS		460		VOLTS		380		AMB	40° C	INS	F				
FLA		280.0		FLA		342		DE BEARING		NU319					
CODE	G	P.F.	0.87	CODE	D	P.F.	0.87	ODE BEARING		6318					
EFF	95.8	MIN	95.0	EFF	95	MIN	94.2	LUB:		Mobil Polyrex EM					
MOTOR WEIGHT	1930	LBS		CONNECTION		6 Lead Δ		SER NO							
General purpose use on industrial machinery installed in environments with minimal dirt and moisture. Hernando, Mississippi												cc.082A			

**APPLICATIONS:**

General purpose use on pumps, fans, blowers, compressors, conveyors, material handling and other industrial machinery installed in environments with minimal dirt and moisture.