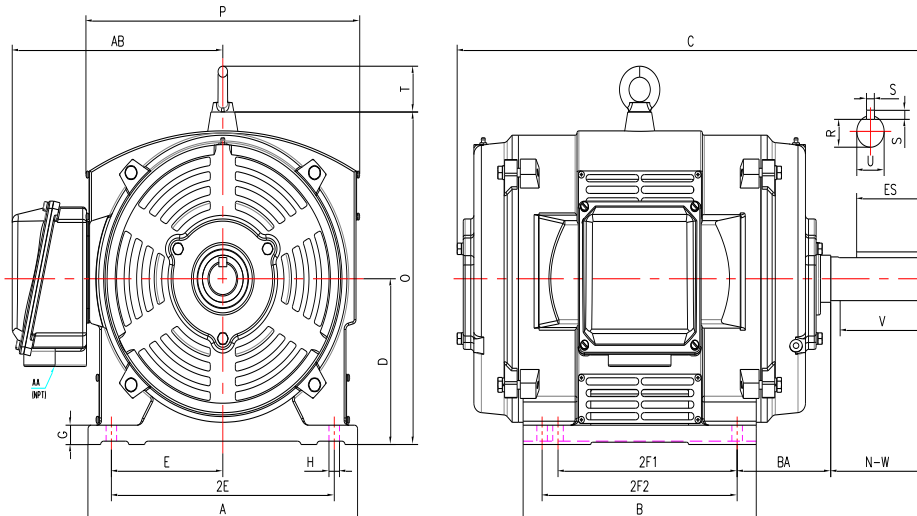


PE405T-125-4-ODP

GENERAL PURPOSE ELECTRIC MOTOR
NEMA PREMIUM EFFICIENCY
CAST IRON CONSTRUCTION - OPEN DRIP PROOF
INVERTER DUTY 10:1 CT; 20:1 VT - NEMA MG1 PART 31



DIMENSIONS

HP	RPM	Frame	MOUNTING														
			A	B	C	D	G	H	J	E	2E	2F1	2F2	O	P	T	BA
125	1800	405T	19.10	17.00	33.30	10.00	1.15	0.81	NA	8.00	16.00	12.25	13.75	21.00	20.25	2.60	6.62

Shaft Extension, Key Set						Conduit Box		Bearings		Mount
U	V	R	S	ES	N-W	AA	AB	DE	ODE	
2.88	7.00	2.45	0.75	5.65	7.25	3.00	14.50	NU318	6314	F1

BEARING LUBRICATION: The bearings come lubricated with Mobil Polyrex EM Polyurea Grease. It is recommended that you add some additional lubrication when the motor is installed.

Three options (brands) for suitable lubrication include, but are not limited to, the following:

- 1.) Mobil Polyrex EM
- 2.) Citco Polyurea MP
- 3.) Conoco Phillips Polytac EP





PE405T-125-4-ODP

**GENERAL PURPOSE ELECTRIC MOTOR
 NEMA PREMIUM EFFICIENCY
 CAST IRON CONSTRUCTION - OPEN DRIP PROOF
 INVERTER DUTY 10:1 CT; 20:1 VT - NEMA MG1 PART 31**

PERFORMANCE DATA

HP	RPM	Frame	Voltage	Frequency (Hz)	Full Load S.F.	Insulation Class	NEMA Design	Slip (%)	NEMA Code	Enclosure Type	IP Rating	Max. Ambient
125	1785	405T	460	60	1.15	F	B	0.83	G	ODP	23	40° C

Amps (460V)		Efficiency (%)				Power Factor			Torque (ft-lb)			DE Bearing	ODE Bearing	Connection	Weight (lbs.)
FLA	LRA	100%	75%	50%	Min.	100%	75%	50%	FLT	LRT %	BDT %	NU318	6314	6 Lead Δ	1179
141	907	95.4	95.0	94.5	94.5	0.87	0.86	0.81	368.9	150	250				

NAME PLATE

										CONNECTION DIAGRAMS (460V)					
INVERTER DUTY 20:1 VT; 10:1 CT										Across The Line 					
CAT NO:		PE405T-125-4-ODP			FRAME		405T		PHASE		3		PWS Start 		
HZ	60	S.F.	1.15	HZ	50	S.F.	1.0	ENCL	ODP	IP	23	PWS Run 			
HP	125	RPM	1785	HP	125	RPM	1485	DUTY	CONT	DES	B				
VOLTS		460			VOLTS		380		AMB	40° C	INS	F			
FLA		141.0			FLA		170		DE BEARING		NU318				
CODE	G	P.F.	0.87	CODE	D	P.F.	0.88	ODE BEARING		6314					
EFF	95.4	MIN	94.5	EFF	94.2	MIN	93.3	LUB:		Mobil Polyrex EM					
MOTOR WEIGHT		1179	LBS	CONNECTION		6 Lead Δ		SER NO							
General purpose use on industrial machinery installed in environments with minimal dirt and moisture. ISO9001 CERTIFIED CE SP US CC 082A Hernando, Mississippi															

APPLICATIONS:

General purpose use on pumps, fans, blowers, compressors, conveyors, material handling and other industrial machinery installed in environments with minimal dirt and moisture.